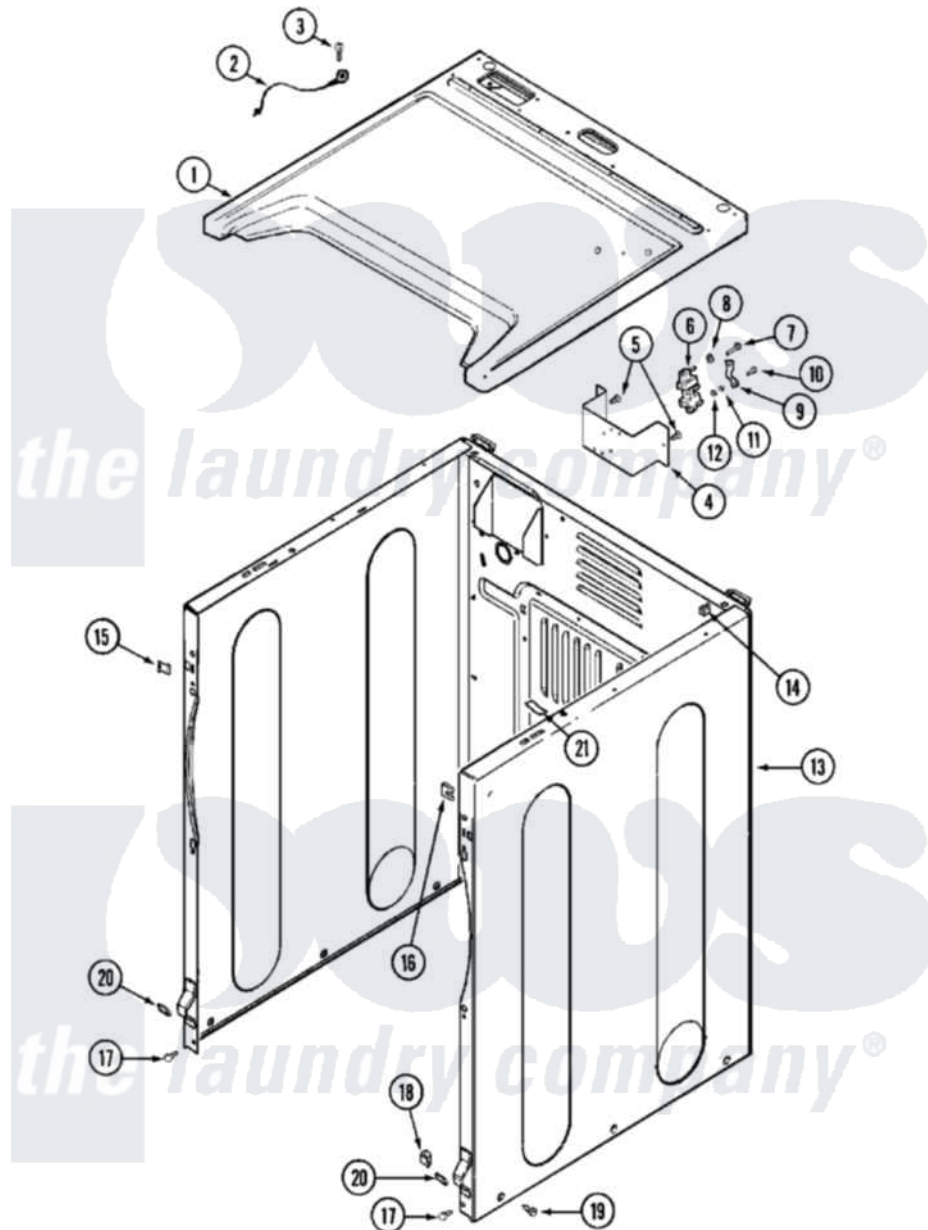


Maytag MDG16PSDXW 03 - CABINET-FRONT



Maytag [Residential Maytag MDG16PSDXW Dryer Parts](#) Parts Diagram 03 - CABINET-FRONT
 Click on the part number to view part

| Item | Original Part Number | Replaced By | Status | Part Description |
|------|--------------------------|---------------------------|---------------|---|
| 001 | 33002633 | | | Cover, Top |
| 002 | 22001959 | | | Wire, Ground |
| 003 | 210186 | 3370225 | | Screw |
| 004 | NLA | | Not Available | BRACKET, TERMINAL BLOCK---NA |
| 005 | 22001995 | | | Screw Note: Screw, Tumbler Front And Shroud |
| 006 | 33001244 | | | Block, Terminal |
| " | 33002106 | | | Shield, Terminal Block |
| 007 | Y312209 | W10001200 | | Screw |
| 008 | Y311270 | | | Washer, Terminal Block |
| 009 | Y312184 | | | Strap, Grounding |
| 010 | 33002633 | | | Cover, Top |
| 011 | 311484 | 112432 | | Nut |
| 012 | 311093 | | | Washer, Terminal Connection |
| 013 | NLA | | Not Available | CABINET ASSY (WHT-AS PK) |

| | | | |
|-----|--------------------------|--------------------------|---|
| 014 | 310933 | 33002194 | Nut, Speed |
| 015 | 22002049 | | Clip Note: Clip, Front Panel |
| 016 | 213280 | 204439 | Screw And Fstner Assembly |
| 017 | 22001995 | | Screw Note: Screw, Tumbler Front And Shroud |
| 018 | Y310376 | | Clip, Door Switch Harness |
| 019 | 22003409 | 213007 | Xfor Cabinet See Cabinet, Back |
| 020 | 22002239 | | Clip, Front Panel |
| 021 | 33001836 | | Strap, Top Cover Support |

