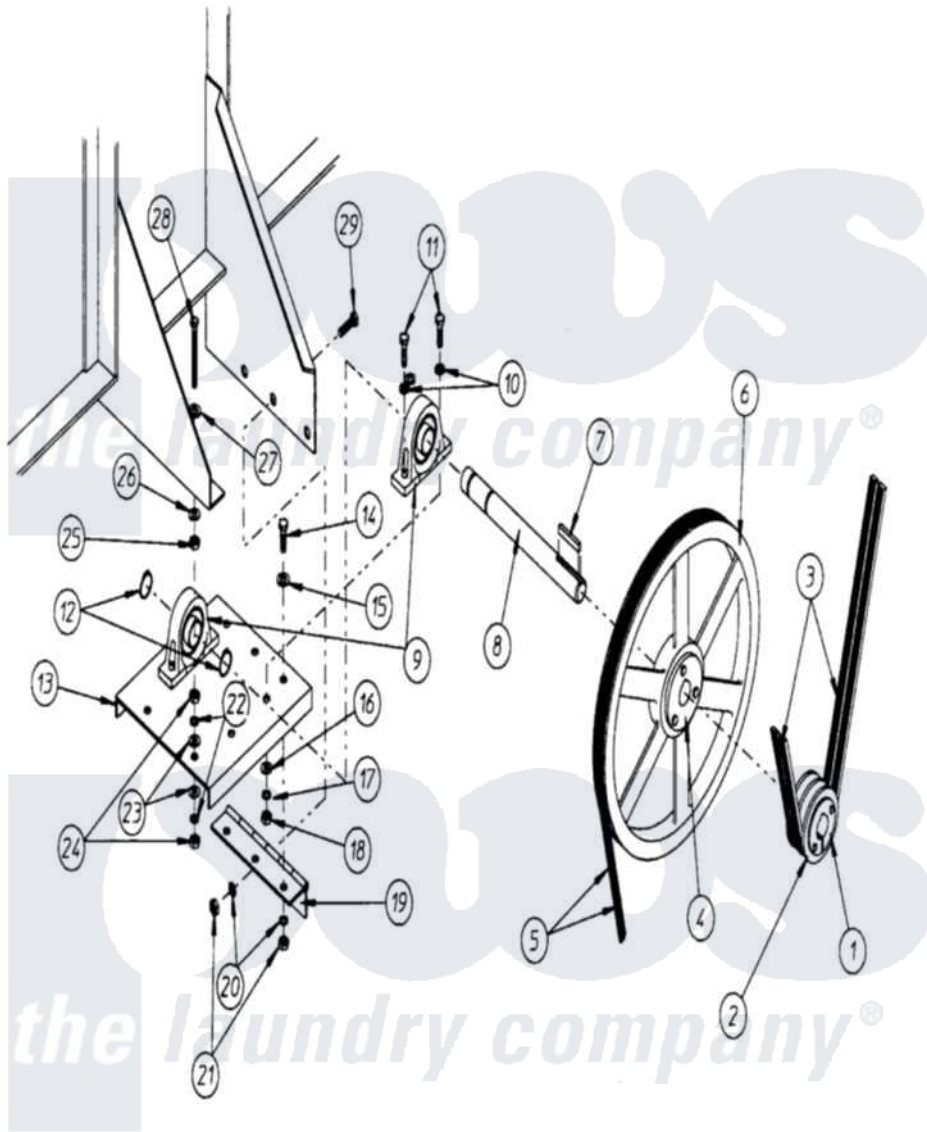


Maytag MDG170P1HW 11 - IDLER BEARING MOUNT ASSEMBLY



Maytag [Residential Maytag MDG170P1HW Dryer Parts](#) Parts Diagram 11 - IDLER BEARING MOUNT ASSEMBLY
 Click on the part number to view part

Item	Original Part Number	Replaced By	Status	Part Description
000	W10124350		Not Available	ORDER PARTS FROM AMERICAN DRYER CORP AT 508-678-9000
001	A101152	101152		SH X 1 3 8
002	A101143	W10149222		2B X 3.8 S
003	A100137	W10146573		Ap-91 V-be
004	A101184	101184		Sk X 1-3 8
005	A100102	W10146549		3vx740 V-B
006	A101112	101112		19 Pulley
007	A100730			5 16 X 5 1
008	A332152	332152		170 Idler
009	A880879	W10148075		1 3 8 P.b
010	A153011	153011		9 16 ID- 1
011	A150606	150606		1 2-13 X 2
012	A100802	100802		1 3 8 Ext
013	A332151	332151		170 Idler
"	A820932	820932		170-Idler

014	A150501	150501	5 16-18 X
015	A153001	153001	5 16 Flat
016	A153011	153011	9 16 ID- 1
017	A153026	153026	1 2 Std L
018	A152011	152011	1 2-13 Hex
019	A103005	103005	100 120 17
020	A153002	8182939	Washer, Lock
021	A152004	8182933	Nut, Hex
022	A153005	153005	3 8 Split
023	A153004	153004	3 8 X 1
024	A152005	152005	3 8-16 Hex
025	A152005	152005	3 8-16 Hex
026	A153005	153005	3 8 Split
027	A153005	153005	3 8 Split
028	A152034	152034	3 8-16 X 3
029	A150501	150501	5 16-18 X

