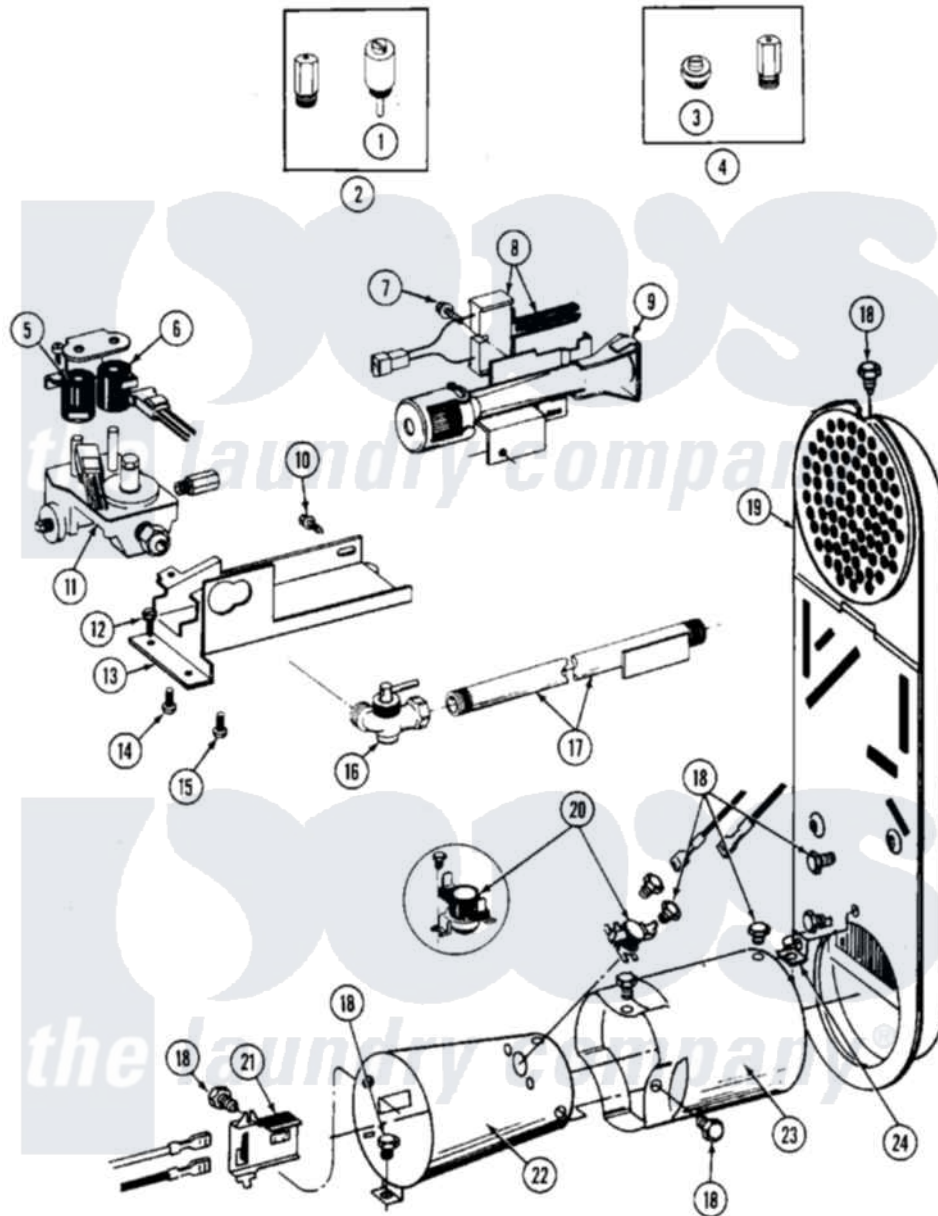


# Maytag MDG26MNABG 06 - GAS VALVE



Maytag Residential Maytag MDG26MNABG Dryer Parts Parts Diagram 06 - GAS VALVE  
 Click on the part number to view part

Item	Original Part Number	Replaced By	Status	Part Description
001	306184		Not Available	PLUG, BLOCKING (LPG REGULATOR)
002	Y308378	<a href="#">W10402145</a>		LP Gas Con
003	314602	<a href="#">694424</a>		Leak, Limiter
004	Y308377		Not Available	CONVERSION KIT (LP TO NATURAL)
005	<a href="#">306106</a>			Coil, Holding And Booster--W
006	306105	<a href="#">694540</a>		Coil, 60 Hz
007	<a href="#">304971</a>			Screw Note: Screw, Igniter
008	304970	<a href="#">4391996</a>		Ignitor
009	304974	<a href="#">33002793</a>		Burner Assembly
"	Y308457	<a href="#">33002793</a>		Burner Assembly
010	Y310632	<a href="#">1163839</a>		Screw
011	<a href="#">308345</a>			Valve, Gas
012	<a href="#">Y313561</a>			Screw---NA
013	<a href="#">314566</a>			Gas Control Bracket
014	314082	<a href="#">00767</a>		Screw, 8A X 3/8 HeX Washer

014	<a href="#">J14002</a>	<a href="#">30707</a>	Head Tapping
015	<a href="#">Y313559</a>		Screw
016	<a href="#">Y303349</a>		Angle Shut-Off, Gas Valve
017	Y303383	<a href="#">33001735</a>	Pipe And Bracket Assembly Series 18 Not Needed Use Vavle
018	211294	<a href="#">90767</a>	Screw, 8A X 3/8 HeX Washer Head Tapping
019	<a href="#">307119</a>		Duct, Inlet Assembly
"	Y308504	Not Available	INLET DUCT ASSEMBLY
020	<a href="#">305169</a>		Thermostat, Hi-Limit Gas
021	Y303377	<a href="#">338906</a>	Radiant, Sensor
022	<a href="#">Y303368</a>		Cone, Combustion
"	<a href="#">Y308548</a>		Combustion Cone Assembly
023	<a href="#">Y303841</a>		Cone, Extension
024	<a href="#">Y312890</a>		Retainer, Heater Chamber

