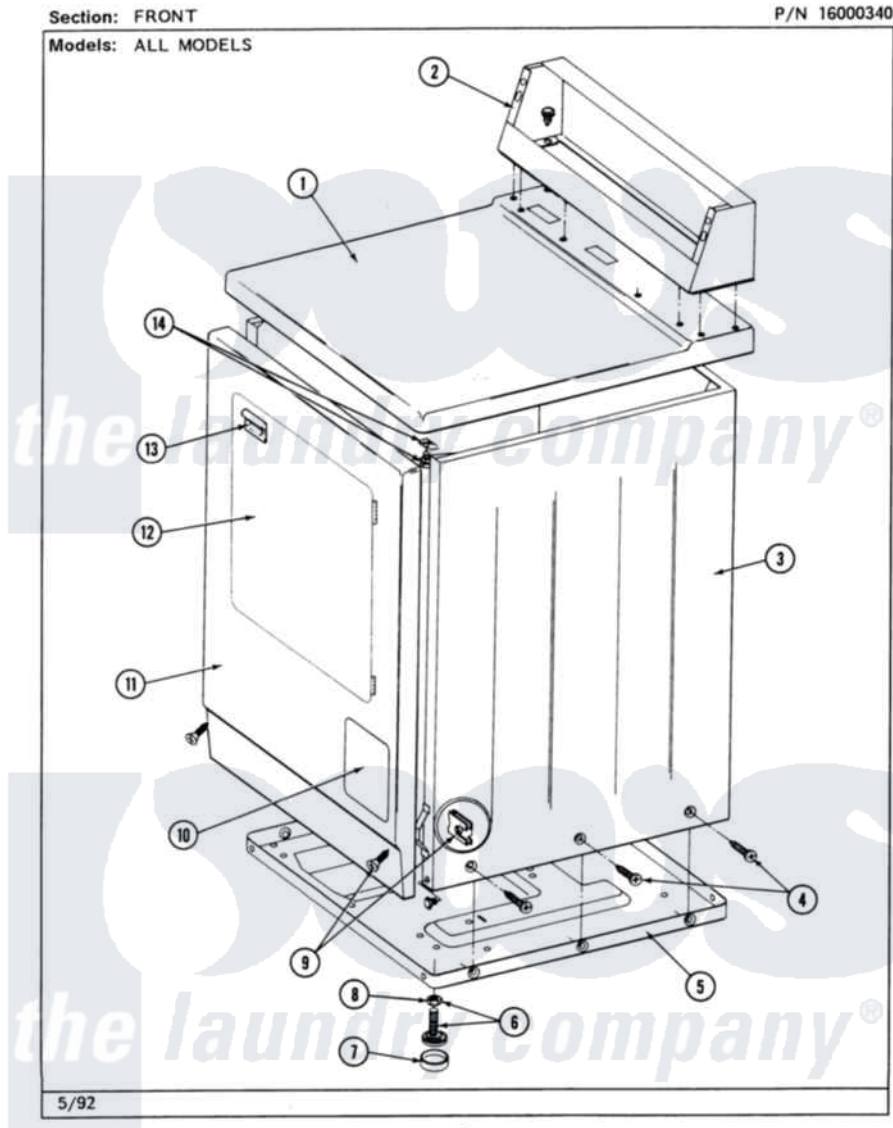


# Maytag MDG26PCABG 01 - FRONT



2

Maytag [Residential Maytag MDG26PCABG Dryer Parts](#) Parts Diagram 01 - FRONT  
Click on the part number to view part

| Item | Original Part Number    | Replaced By               | Status        | Part Description               |
|------|-------------------------|---------------------------|---------------|--------------------------------|
| 001  | <a href="#">307104</a>  |                           |               | Top Cover Assembly             |
| "    | NLA                     |                           | Not Available | (ALM)                          |
| 002  | 212276                  | <a href="#">W10116760</a> |               | Screw                          |
| "    | NLA                     |                           | Not Available | CONTROL COVER (WHT)            |
| 003  | NLA                     |                           | Not Available | CABINET (WHT)                  |
| "    | Y310632                 | <a href="#">1163839</a>   |               | Screw                          |
| 004  | <a href="#">213007</a>  |                           |               | Xfor Cabinet See Cabinet, Back |
| 005  | Y303361                 |                           | Not Available | BASE ASSY. (UPPER & LOWER)     |
| 006  | <a href="#">Y305086</a> |                           |               | Adjustable Leg And Nut         |
| 007  | <a href="#">Y314137</a> |                           |               | Foot, Rubber                   |
| 008  | Y052740                 | <a href="#">62739</a>     |               | Nut, Lock                      |
| 009  | <a href="#">204439</a>  |                           |               | Screw And Fstner Assembly      |
| 010  | NLA                     |                           | Not Available | ACCESS DOOR (WHT)              |
| 011  | <a href="#">307998L</a> |                           |               | Front Panel----NA              |
| "    | NLA                     |                           | Not Available | FRONT PANEL ASSY. (WHT)        |

|     |                        |               |                             |
|-----|------------------------|---------------|-----------------------------|
| 012 | 308061                 | Not Available | DOOR ASSY. COMPLETE (WHT)   |
| "   | NLA                    | Not Available | (ALM)                       |
| 013 | <a href="#">314946</a> |               | Handle White                |
| "   | <a href="#">314972</a> |               | Handle Door ALM             |
| "   | NLA                    | Not Available | (H. WHEAT)                  |
| 014 | <a href="#">204445</a> |               | Screw And Fastener Assembly |

