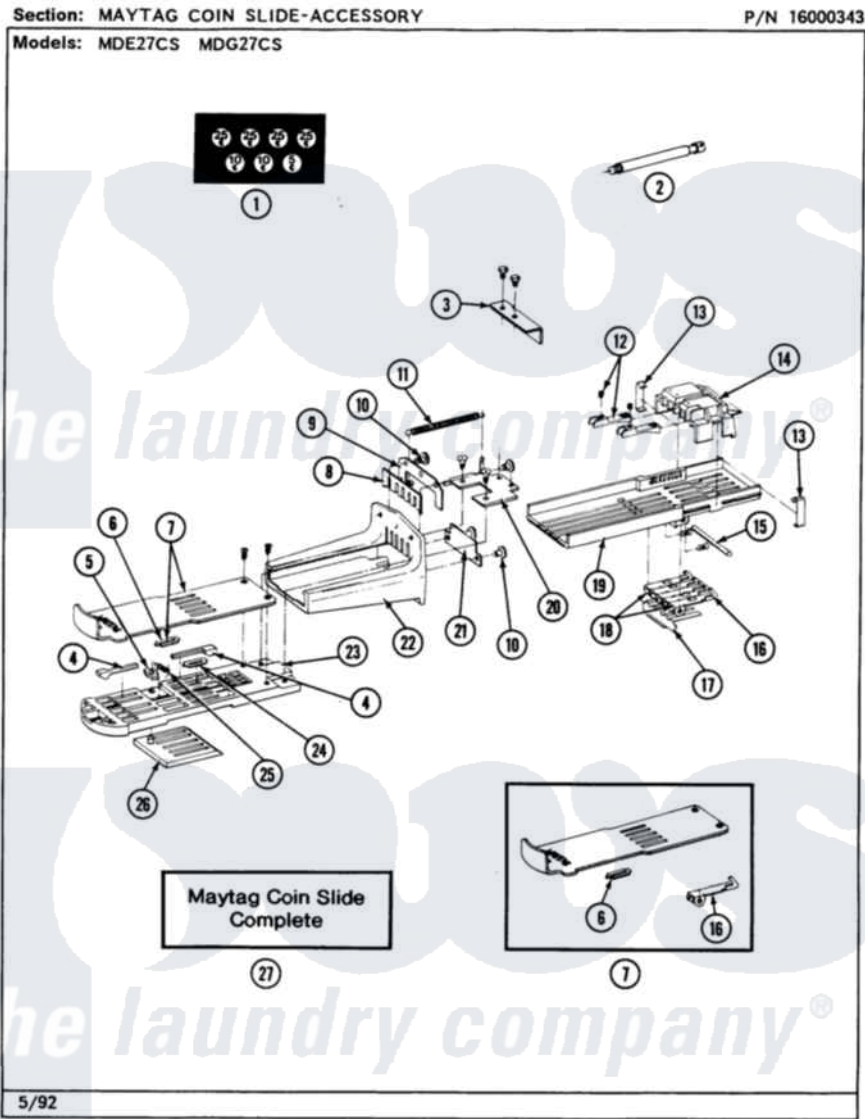


# Maytag MDG27CSABW 05 - MAYTAG COIN SLIDE-ACCESSORY



18

Maytag Residential Maytag MDG27CSABW Dryer Parts Parts Diagram 05 - MAYTAG COIN SLIDE-ACCESSORY  
 Click on the part number to view part

Item	Original Part Number	Replaced By	Status	Part Description
001	<a href="#">214648</a>			Decal, Coinage
002	<a href="#">215559</a>			Bolt, Coin Slide Locking
"	NLA		Not Available	LOCKING BOLT
003	<a href="#">314334</a>			Bracket For Coin Slide
004	NLA		Not Available	PLUG, COIN OPENING
005	214572		Not Available	ARM, RATCHET
006	NLA		Not Available	NICKEL INSERT
007	<a href="#">214597</a>			Screw
"	NLA		Not Available	SLIDE PLATE W/NICKEL INSERT
008	<a href="#">214578</a>			Gate For Coin Opening
009	NLA		Not Available	RETAINER
010	NLA		Not Available	STUD
011	<a href="#">214581</a>			Spring, Return
012	NLA		Not Available	MOVABLE COIN GAGE
013	<a href="#">214589</a>			Clip, Spring
014	NLA		Not Available	MEASURING BLOCK ASSY.

015	NLA	Not Available	PIN
016	NLA	Not Available	LOWER GAGE ARM
017	<a href="#">214596</a>		Spring For Lower Gage Arm
018	205343	Not Available	LOWER GAGE ARM ASSEMBLY
019	214594	Not Available	BASE INSERT FOR HOUSING
"	<a href="#">214597</a>		Screw
020	<a href="#">214597</a>		Screw
"	NLA	Not Available	END BRACKET
021	NLA	Not Available	RETAINER
022	214584	Not Available	HOUSING FOR COIN SLIDE
023	NLA	Not Available	SLIDE BODY
024	NLA	Not Available	DIME INSERT
025	<a href="#">214582</a>		Spring For Ratchet Arm
026	NLA	Not Available	STUD
027	NLA	Not Available	MAYTAG COIN SLIDE

