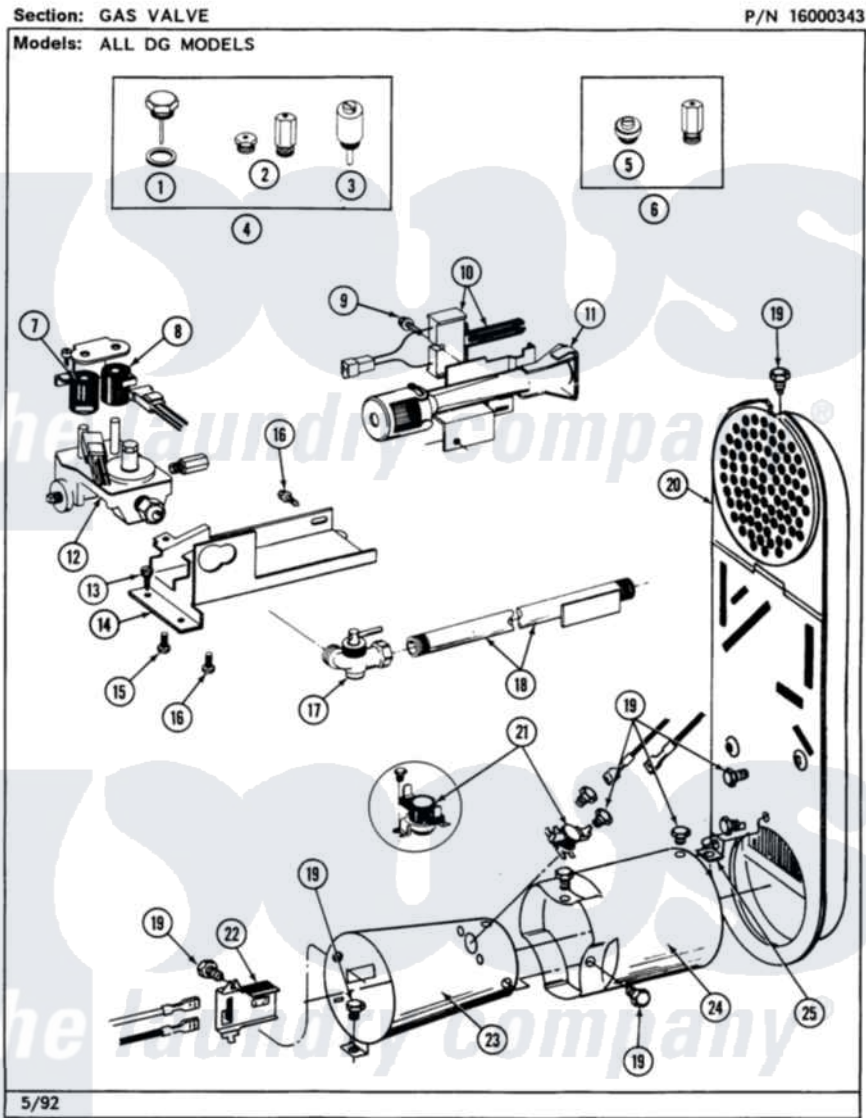


# Maytag MDG27CTABL 08 - GAS VALVE



34

Maytag [Residential Maytag MDG27CTABL Dryer Parts](#) Parts Diagram 08 - GAS VALVE  
 Click on the part number to view part

Item	Original Part Number	Replaced By	Status	Part Description
001	NLA		Not Available	SCREW ASSY. (BLUE BLOCK OPEN)
002	NLA		Not Available	BURNER ORIFICE KIT, MAIN (LPG)
003	306184		Not Available	PLUG, BLOCKING (LPG REGULATOR)
004	Y306195	<a href="#">MAL9000AXX</a>		LP Gas Con
"	Y308378	<a href="#">W10402145</a>		LP Gas Con
005	314602	<a href="#">694424</a>		Leak, Limiter
006	306204	<a href="#">33002924</a>		Gas Conv K
"	Y308377		Not Available	CONVERSION KIT (LP TO NATURAL)
007	<a href="#">306106</a>			Coil, Holding And Booster--W
008	306105	<a href="#">694540</a>		Coil, 60 Hz
009	<a href="#">304971</a>			Screw Note: Screw, Igniter
010	304970	<a href="#">4391996</a>		Ignitor
011	304974	<a href="#">33002793</a>		Burner Assembly
"	Y308457	<a href="#">33002793</a>		Burner Assembly

012	<a href="#">306176</a>		Valve, Gas
"	<a href="#">308345</a>		Valve, Gas
013	<a href="#">Y313561</a>		Screw---NA
014	<a href="#">314566</a>		Gas Control Bracket
015	314082	<a href="#">90767</a>	Screw, 8A X 3/8 HeX Washer Head Tapping
016	Y310632	<a href="#">1163839</a>	Screw
017	<a href="#">Y303349</a>		Angle Shut-Off, Gas Valve
018	Y303383	<a href="#">33001735</a>	Pipe And Bracket Assembly Series 18 Not Needed Use Vavle
019	211294	<a href="#">90767</a>	Screw, 8A X 3/8 HeX Washer Head Tapping
020	<a href="#">307119</a>		Duct, Inlet Assembly
021	<a href="#">305169</a>		Thermostat, Hi-Limit Gas
022	Y303377	<a href="#">338906</a>	Radiant, Sensor
023	<a href="#">Y303368</a>		Cone, Combustion
024	<a href="#">Y303841</a>		Cone, Extension
025	<a href="#">Y312890</a>		Retainer, Heater Chamber

