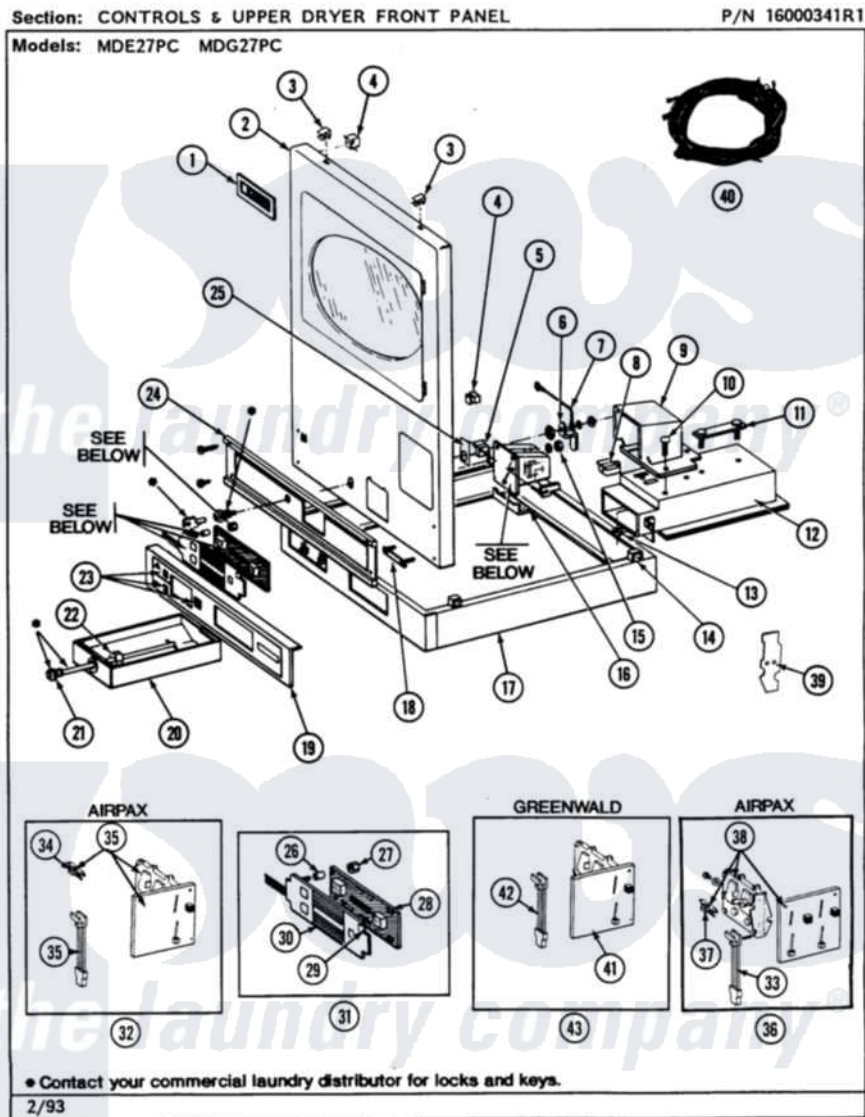


Maytag MDG27PCABL 04 - CONTROLS & UPPER DRYER FRONT PANEL



10

Maytag [Residential Maytag MDG27PCABL Dryer Parts](#) Parts Diagram 04 - CONTROLS & UPPER DRYER FRONT PANEL

[Click on the part number to view part](#)

| Item | Original Part Number | Replaced By | Status | Part Description |
|------|-------------------------|---------------------------|---------------|-----------------------------|
| 001 | NLA | | Not Available | NAME PLATE |
| 002 | NLA | | Not Available | FRONT PANEL - UPPER (WHITE) |
| 003 | 212982 | 22001650 | | Fastener, Spring |
| 004 | Y310376 | | | Clip, Door Switch Harness |
| 005 | 211168 | W10139210 | | Screw, 8-18 X 5/16 |
| " | 314979 | | Not Available | SHIELD, ACCESS SWITCH |
| " | 912012 | 3400409 | | Screw |
| " | Y306232 | | | Switch, Access |
| 006 | 314625 | 206637 | | Lock Kit |
| 007 | Y306712 | Y303981 | | Ground Wire For Latch |
| 008 | 314635 | | | Chute, Coin |
| 009 | NLA | | Not Available | COIN DROP ASSEMBLY---NA |
| 010 | 314654 | | | Bolt, Coin Drop Cover |
| 011 | NLA | | Not Available | MTG. STRAP---NA |

| | | | |
|-----|-------------------------|--------------------------|---|
| 012 | 910387 | | Lockwasher, Vault Assembly |
| " | NLA | Not Available | VAULT ASSY. (WHITE) |
| 013 | Y052740 | 62739 | Nut, Lock |
| 014 | 310933 | 33002194 | Nut, Speed |
| 015 | Y052655 | | Hex Nut, No.8-32 |
| 016 | Y313561 | | Screw---NA |
| " | 314631 | | Bracket, Coin Mechanism |
| " | Y310632 | 1163839 | Screw |
| 017 | NLA | Not Available | COUPLING COLLAR-WHITE |
| 018 | 306233 | Not Available | STRAP, COIN ACCEPTOR |
| 019 | NLA | Not Available | LOWER PANEL---NA |
| 020 | 306219 | 308143 | Tray, Coin |
| " | NLA | Not Available | (ALMOND) |
| 021 | NLA | Not Available | WASHER, SPRING |
| 022 | 214104 | | Reinforcing Nut For Coin BO |
| 023 | 314618 | | Lens |
| 024 | 314664 | 212277 | Screw, No.8 X 1/2 Inch |
| " | 314666 | Not Available | SCREW, PANEL (UPR) |
| " | NLA | Not Available | UPPER CONTROL EXTRUSION |
| 025 | 314634 | | Bracket, Access Switch |
| 026 | 912075 | | Spacer, Circuit Board |
| 027 | 912077 | | Locknut, Reader Harness |
| 028 | NLA | Not Available | CONTROL BOARD ASSEMBLY |
| 029 | 912086 | | Clip, Speed |
| 030 | 306443 | | Touch Pad Assembly |
| " | 910186 | 99002757 | Screw |
| 031 | NLA | Not Available | CONTROL & TOUCH PAD ASSY. |
| 032 | NLA | Not Available | COIN REJECTOR ASSY |
| 033 | 314665 | | Screw, Switch Assembly |
| " | Y306224 | Not Available | COIN SENSOR SWITCH |
| 034 | NLA | Not Available | BALANCE ARM W/WEIGHT (\$.25) |
| 035 | NLA | Not Available | REJECTOR ASSY. (.25) |
| 036 | NLA | Not Available | COIN REJECTOR ASSY. (.10) |
| 037 | 314713 | | Balance Arm W/Weight-\$.10 |
| 038 | Y307401 | Not Available | REJECTOR ASSY (10 CTS-CANADA) |
| 039 | 314710 | Not Available | COIN SLOT COVER (ACCESS) |
| 040 | 306238 | Not Available | (12 CIRCUITS FOR DE & DG |
| " | 306239 | Not Available | (14 CIRCUITS FOR DE & DG |
| " | 314652 | | Tapered Beam Contact Usage Varies Between Harnesses |
| " | NLA | Not Available | WIRE HARNESS-LOWER |
| " | NLA | Not Available | EDGE BOARD CONNECTOR |
| 041 | Y308123 | | Rejector Assembly |
| 042 | 314665 | | Screw, Switch Assembly |
| " | Y306224 | Not Available | COIN SENSOR SWITCH |
| 043 | Y308124 | Not Available | COIN REJECTOR ASSY. (.25) |