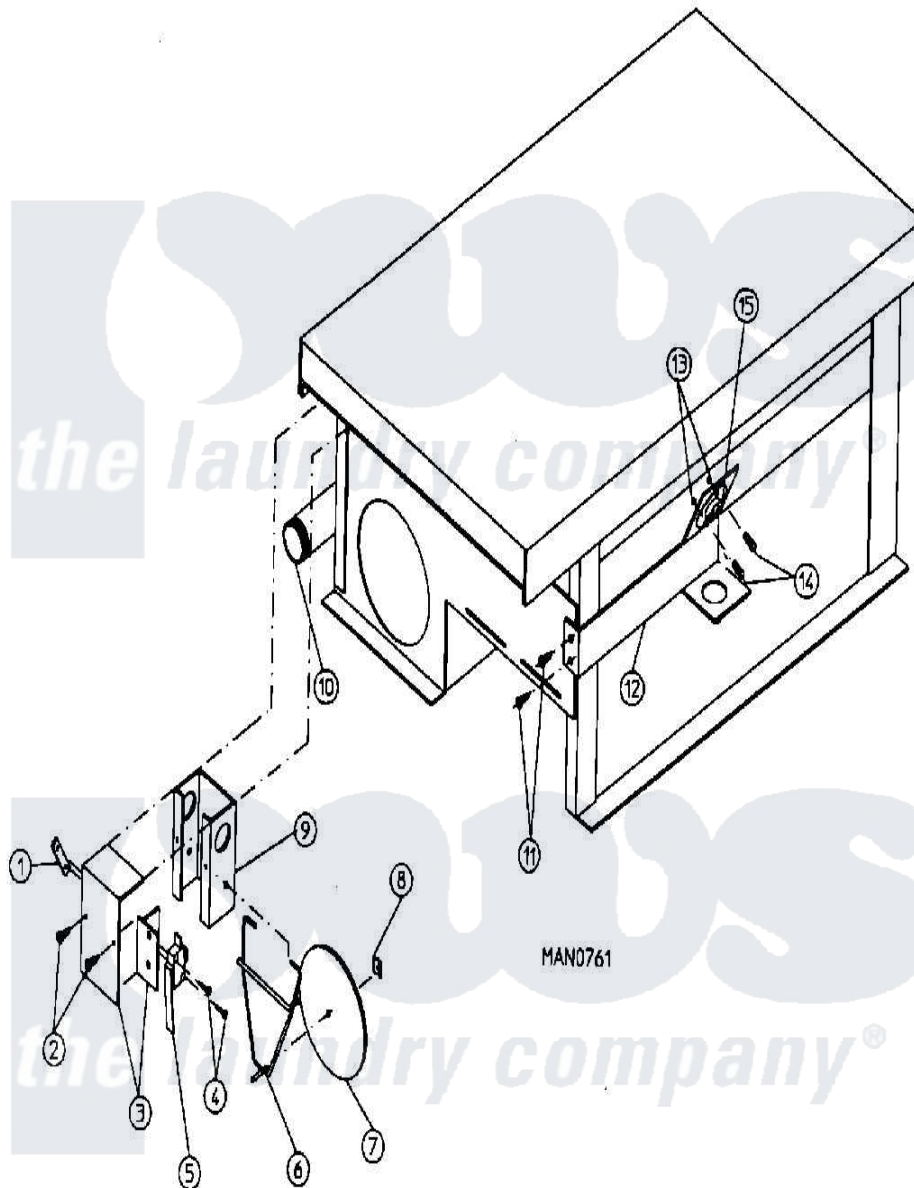


# Maytag MDG30MC2Ax 06 - SAIL SWITCH/HI-LIMIT ASSEMBLY



Maytag [Residential Maytag MDG30MC2Ax Dryer Parts](#) Parts Diagram 06 - SAIL SWITCH/HI-LIMIT ASSEMBLY  
 Click on the part number to view part

Item	Original Part Number	Replaced By	Status	Part Description
000	W10124350		Not Available	ORDER PARTS FROM AMERICAN DRYER CORP AT 508-678-9000
001	A154004	<a href="#">154004</a>		Tinnerman
002	A150415		Not Available	SCREW, CRIMPTITE (PH. RD.HD.) (No.10-16 X 1/2" PH. RD. HD.)
003	A802799	<a href="#">802799</a>		Sail Sw.bo
004	A150303	<a href="#">150303</a>		4 X 3 4 P
005	A122200	<a href="#">122200</a>		Sail Switch
006	A105500	<a href="#">W10146641</a>		Std Sail S
007	A319202	<a href="#">W10146866</a>		Sail Switch
008	A154002	<a href="#">154002</a>		1 8 Push O
009	A802800	<a href="#">802800</a>		Sail Switch
"	A802801	<a href="#">802801</a>		Sail Switch
010	A142809	<a href="#">W10146757</a>		1 2 X 29 1
011	A150415		Not Available	SCREW, CRIMPTITE (PH. RD.HD.) (No.10-16 X 1/2" PH. RD. HD.)

012	A319704	<a href="#">WB4X122</a>	Medallion
013	A151000	<a href="#">WH12X195</a>	Switch Assembly
014	A151001	<a href="#">W10146764</a>	8-32 Pal N
015	A130201	Not Available	HI-LIMIT (330 DEG.)
"	A130401		HI-LIMIT (ONLY) (330 DEG.)

