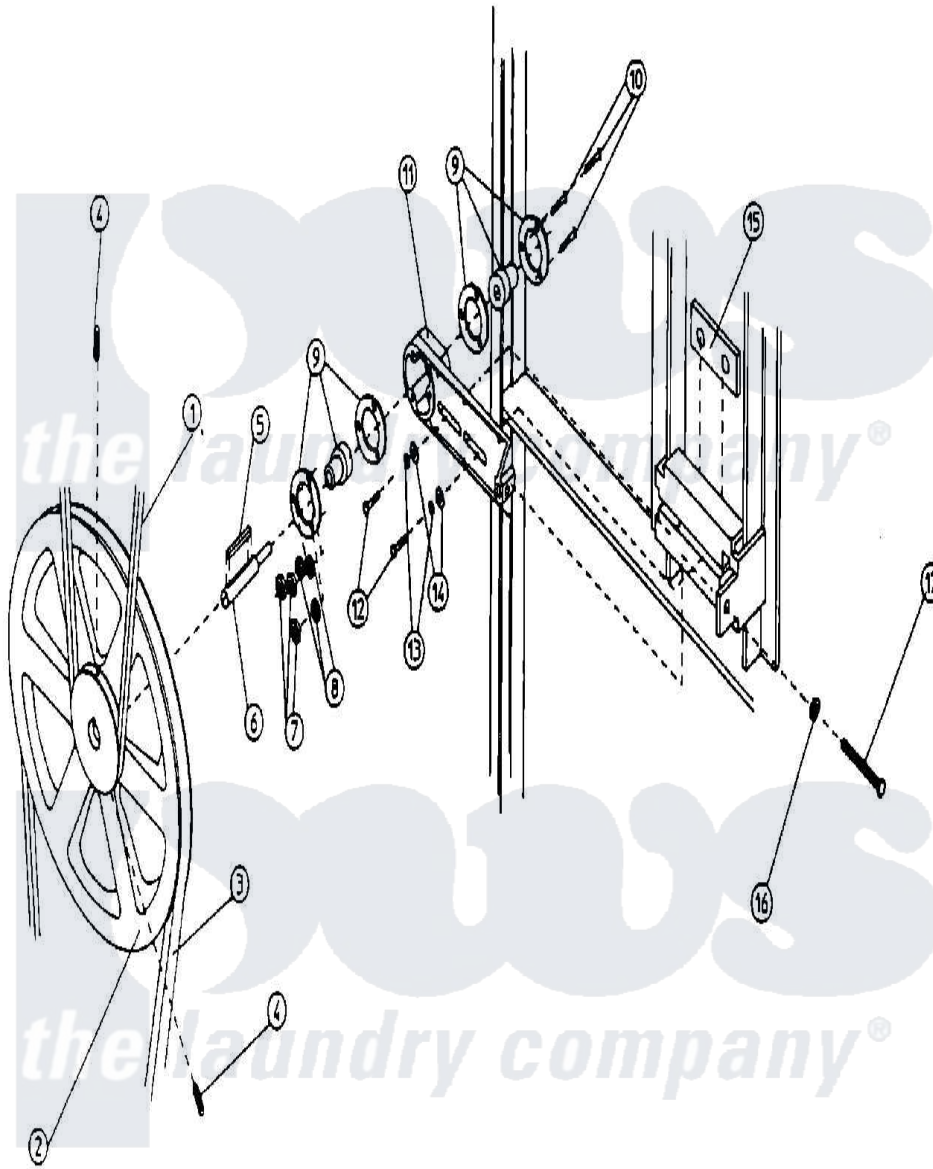


# Maytag MDG30MC3A 14 - IDLER BEARING ASSEMBLY



Maytag [Residential Maytag MDG30MC3A Dryer Parts](#) Parts Diagram 14 - IDLER BEARING ASSEMBLY  
 Click on the part number to view part

Item	Original Part Number	Replaced By	Status	Part Description
000	W10124350		Not Available	ORDER PARTS FROM AMERICAN DRYER CORP AT 508-678-9000
001	A100108	<a href="#">W10146555</a>		5/1680 Belt
002	A101129	<a href="#">W10146631</a>		9 X 2-1 2
003	NLA		Not Available	BELT, IDLER TO MTR. (4L500 V)
004	A154301	<a href="#">154301</a>		5 16-18 X
005	A100705	<a href="#">100705</a>		3 16 X 3
006	A301850			SHAFT, IDLER (5/8" X 3/4")
007	A152002	<a href="#">152002</a>		1 4-20 Hex
008	A153007	<a href="#">153007</a>		1 4 Split
009	A100214		Not Available	BEARING, FLANGE (5/8")
010	A150521	<a href="#">150521</a>		1 4-20 X 2
011	A801007			(COMPLETE) (INCLUDES No.5-17)
"	NLA		Not Available	IDLER BEARING ASSEMBLY
012	A150617	<a href="#">150617</a>		3 8-16 X 1

013	A153005	<a href="#">153005</a>	3 8 Split
014	A153004	<a href="#">153004</a>	3 8 X 1
015	A801009	<a href="#">801009</a>	Idler Squa
016	A152004	<a href="#">8182933</a>	Nut, Hex
017	A150509	<a href="#">150509</a>	5 16-18 X

