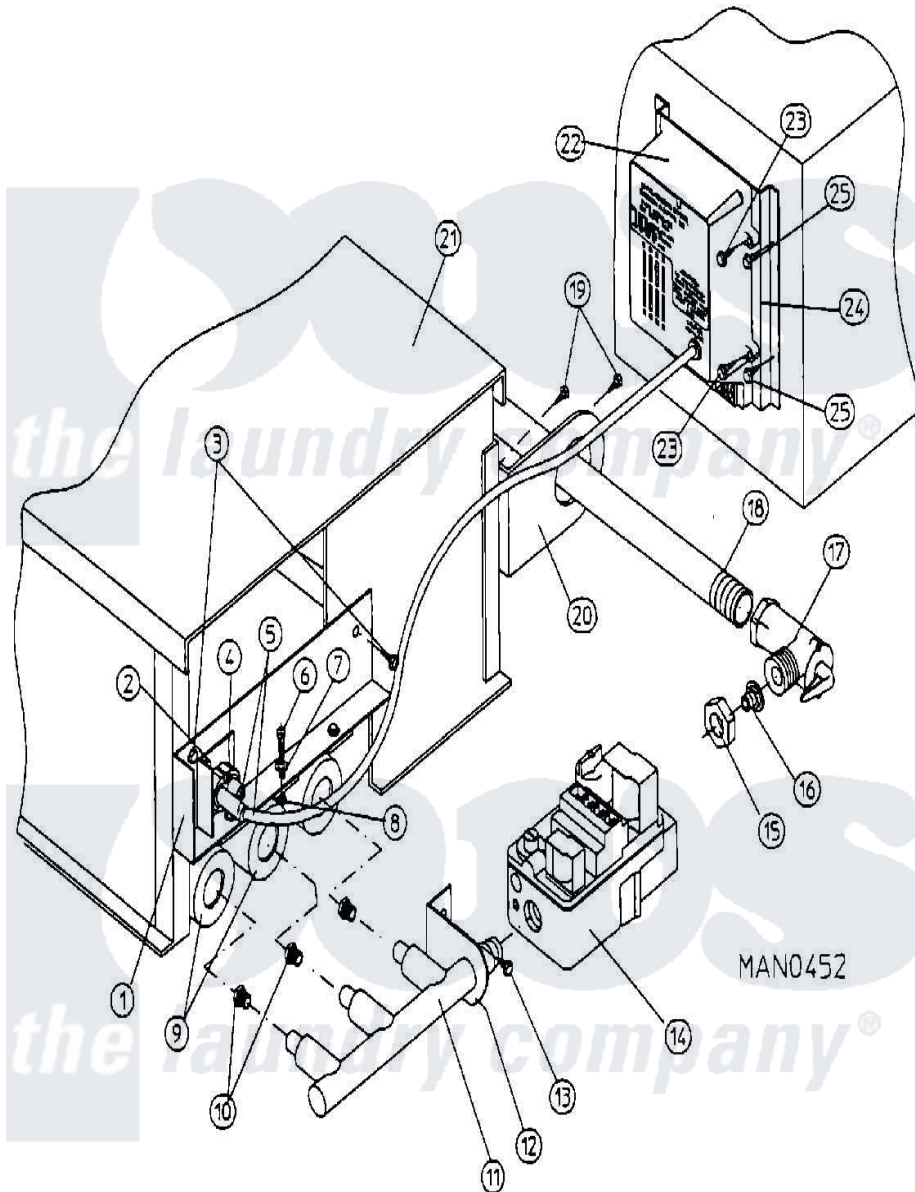


# Maytag MDG30MC3A 17 - DSI & BURNER ASSEMBLY



Maytag Residential Maytag MDG30MC3A Dryer Parts Parts Diagram 17 - DSI & BURNER ASSEMBLY  
 Click on the part number to view part

Item	Original Part Number	Replaced By	Status	Part Description
000	W10124350		Not Available	ORDER PARTS FROM AMERICAN DRYER CORP AT 508-678-9000
001	A318030	<a href="#">W10146864</a>		50 60 Si
002	A150300	<a href="#">5307527001</a>		Switch
003	A150415		Not Available	SCREW, CRIMPTITE (PH. RD.HD.) (No.10-16 X 1/2" PH. RD. HD.)
004	A128915		Not Available	DSI IGNITER & FLAME PROBE ONLY
"	A880134		Not Available	IGNITER/FLAME PROBE KIT ASSY (INCLUDES No.4 & 5)
005	A880330	<a href="#">W10148002</a>		DSI Ignitor
006	A150103	<a href="#">150103</a>		8-32 X 3 4
007	A153000			8 SAE WAS
008	A151001	<a href="#">W10146764</a>		8-32 Pal N
009	A141105	<a href="#">W10146749</a>		Large Gas
010	A140808	<a href="#">140808</a>		Burner Ori
"	A140823	<a href="#">140823</a>		Burner Ori

011	A141232	<a href="#">141232</a>	DSI 1 2 Ma
012	A318700	<a href="#">W10146865</a>	SM Burner
013	A150300	<a href="#">5307527001</a>	Switch
014	A128927	Not Available	VALVE, GAS (REDUNDANT) (1/2" 24 VAC, NATURAL GAS)
"	A140411	Not Available	CONVERSION KIT (1/2" 24 VAC GAS VALVE (L.P.) W/O ORIFICES
015	A141325	Not Available	COLLAR, TAIL PIECE
016	A141303	Not Available	TAIL PIECE, 1/2" UNION
017	A141305	Not Available	BODY, UNION SHUT-OFF
018	A142500		1 2-90 DEG
"	A142600	<a href="#">142600</a>	1 2 Black
"	A142707	<a href="#">142707</a>	1 2 X 1 1
"	<a href="#">A142800</a>		Pipe, 1/2 " X 18" B.I.
"	A142809	<a href="#">W10146757</a>	1 2 X 29 1
019	A150415	Not Available	SCREW, CRIMPTITE (PH. RD.HD.) (No.10-16 X 1/2" PH. RD. HD.)
020	A318700	<a href="#">W10146865</a>	SM Burner
021	A809627	<a href="#">809627</a>	Ad30s Ud50
"	A809628	<a href="#">5300809628</a>	Hose
"	A850852	<a href="#">W10147725</a>	60 DSI Bur
022	A880815		MODULE, DSI (50HZ/60HZ)
023	A150299	<a href="#">150299</a>	10 X 1 H
024	A319505	Not Available	BRACKET, DSI MODULE
025	A150301	<a href="#">150301</a>	8-18 X 7
026	A880928	<a href="#">W10148096</a>	Ad-30ds
027	A410001	<a href="#">410001</a>	1 2 Hex L
028	W10124350	Not Available	NOTE: CONSULT FACTORY FOR ELEVATIONS OVER 2000 FT.

