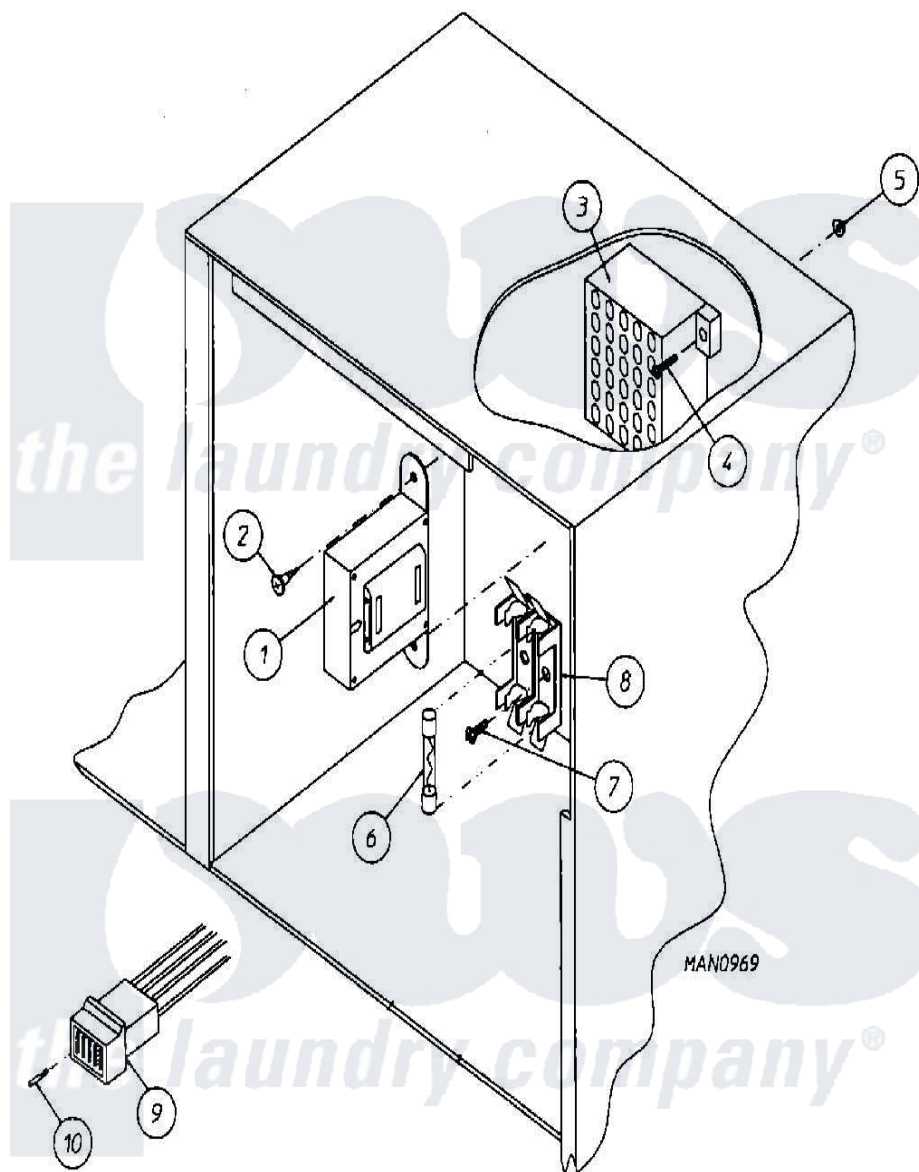


Maytag MDG30PC2AL 02 - CONTROL BOX ASSEMBLY (PC2)



Maytag Residential Maytag MDG30PC2AL Dryer Parts Parts Diagram 02 - CONTROL BOX ASSEMBLY (PC2)
 Click on the part number to view part

| Item | Original Part Number | Replaced By | Status | Part Description |
|------|----------------------|----------------------------|---------------|--|
| 000 | W10124350 | | Not Available | ORDER PARTS FROM AMERICAN DRYER CORP AT 508-678-9000 |
| 001 | A141403 | | Not Available | TRANSFORMER (24 VAC) (FOR MICROPROCESSOR MODELS) |
| 002 | A150300 | 5307527001 | | Switch |
| 003 | A120715 | W10146700 | | 30 Pos Ter |
| 004 | A150002 | 150002 | | 6-32 X 1 |
| 005 | A151000 | WH12X195 | | Switch Assembly |
| 006 | A136057 | W10146739 | | 0.5 A 250 |
| 007 | A150301 | 150301 | | 8-18 X 7 |
| 008 | A136008 | 136008 | | Fuse Block |
| 009 | A122641 | 122641 | | 15 Pos. MI |
| 010 | A122706 | 122706 | | 20-16 AWG |