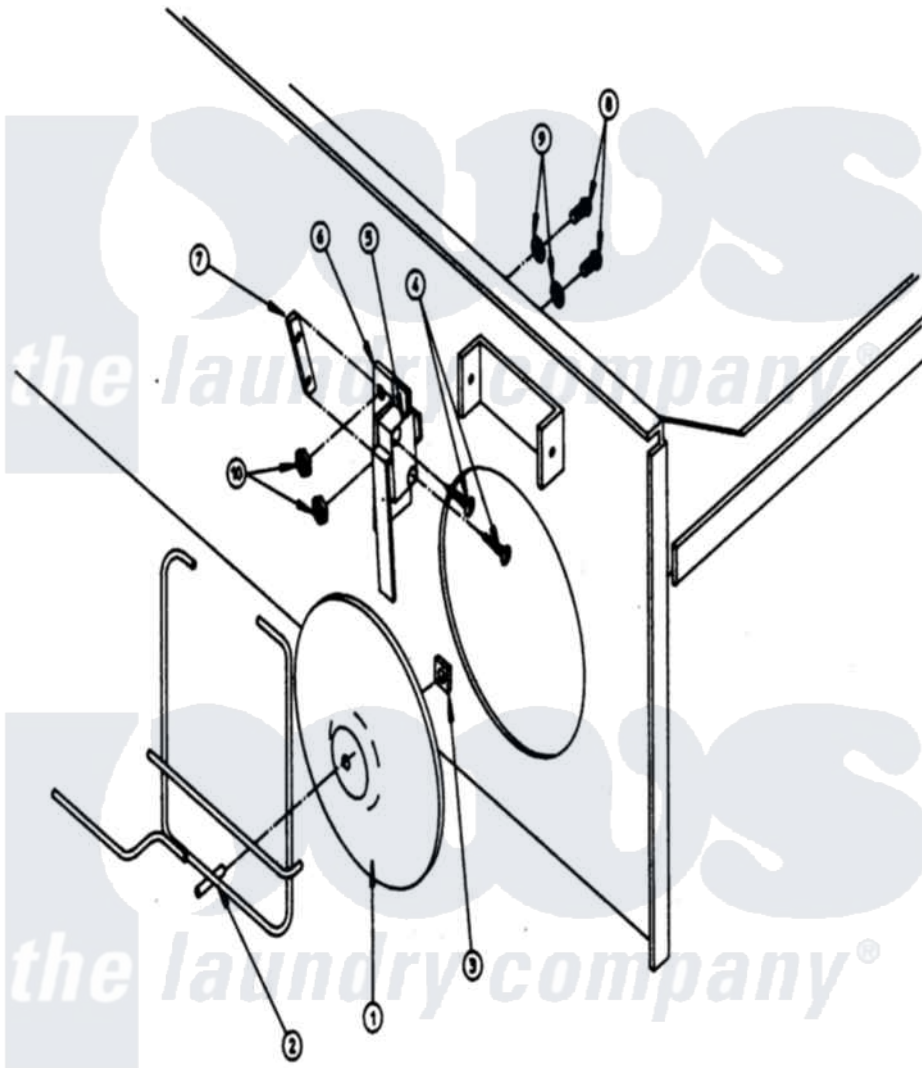


Maytag MDG32PC2 14 - SAIL SWITCH ASSEMBLY



Maytag [Residential Maytag MDG32PC2 Dryer Parts](#) Parts Diagram 14 - SAIL SWITCH ASSEMBLY
 Click on the part number to view part

| Item | Original Part Number | Replaced By | Status | Part Description |
|------|----------------------|---------------------------|---------------|---|
| 000 | W10124350 | | Not Available | ORDER PARTS FROM AMERICAN DRYER CORP AT 508-678-9000 |
| 001 | A309206 | | Not Available | DAMPER, SAIL SWITCH |
| " | A802805 | | Not Available | SAIL SWITCH ROD & DAMPER ASSY. (INCL. ITEMS 1 THRU 3) |
| 002 | A105550 | W10146642 | | 320 330 43 |
| 003 | A154002 | 154002 | | 1 8 Push O |
| 004 | A150303 | 150303 | | 4 X 3 4 P |
| 005 | A122200 | 122200 | | Sail Switch |
| " | A802807 | W10147081 | | 320 330 43 |
| 006 | A319208 | 319208 | | 320 330 43 |
| 007 | A154004 | 154004 | | Tinneman |
| 008 | A150001 | 150001 | | 6-32 X 1 2 |
| 009 | A153010 | 153010 | | 6 Internal |
| 010 | A152000 | | | 6-32 HEX N |