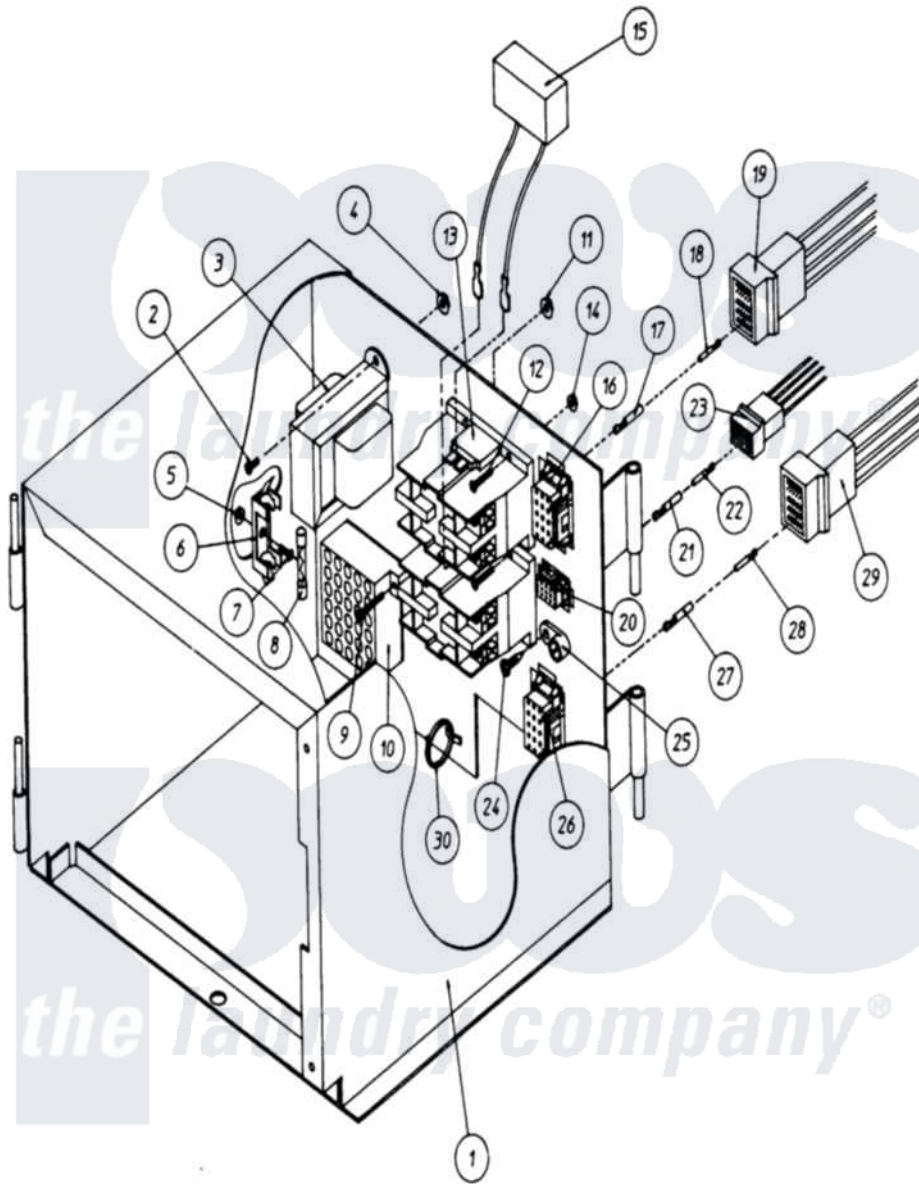


Maytag MDG32PC3AL 10 - CONTROL BOX ASSEMBLY



Maytag [Residential Maytag MDG32PC3AL Dryer Parts](#) Parts Diagram 10 - CONTROL BOX ASSEMBLY
 Click on the part number to view part

Item	Original Part Number	Replaced By	Status	Part Description
000	W10124350		Not Available	ORDER PART FROM AMERICAN DRYER CORP AT 508-678-9000
001	A824440	824440		430 Electr
002	A150103	150103		8-32 X 3 4
003	A141403		Not Available	TRANSFORMER (24 VAC) (FOR MICROPROCESSOR MODELS)
004	A151001	W10146764		8-32 Pal N
005	A151000	WH12X195		Switch Assembly
006	A136008	136008		Fuse Block
007	A150002	150002		6-32 X 1
008	A136057	W10146739		0.5 A 250
009	A150002	150002		6-32 X 1
010	A120715	W10146700		30 Pos Ter
011	A151000	WH12X195		Switch Assembly
012	A150103	150103		8-32 X 3 4
013	A132451			CONTACTOR, TWO POLE

014	A151001	W10146764	8-32 Pal N
015	A824828	W10147397	RC Network
016	A122626	122626	15P Umnl C
017	A122705	122705	Umnl Sok 2
018	A122704	122704	Umnl Pin 2
019	A122625	122625	15 Pin Umn
"	A137025	137025	6-15 Positive
020	A122631	122631	06P Umnl C
021	A122705	122705	Umnl Sok 2
022	A122704	122704	Umnl Pin 2
023	A122630	122630	06P Umnl P
"	A137025	137025	6-15 Positive
024	A150415	Not Available	SCREW, CRIMPTITE (PH. RD.HD.) (No.10-16 X 1/2" PH. RD. HD.)
025	A121010	121010	14-4 Termi
026	A122626	122626	15P Umnl C
027	A122705	122705	Umnl Sok 2
028	A122704	122704	Umnl Pin 2
029	A122625	122625	15 Pin Umn
"	A137025	137025	6-15 Positive
030	A121494	121494	Tie, Wire
031	A122801	W10146716	Mate-N-Loc
032	A122800		M R EXTRAC

