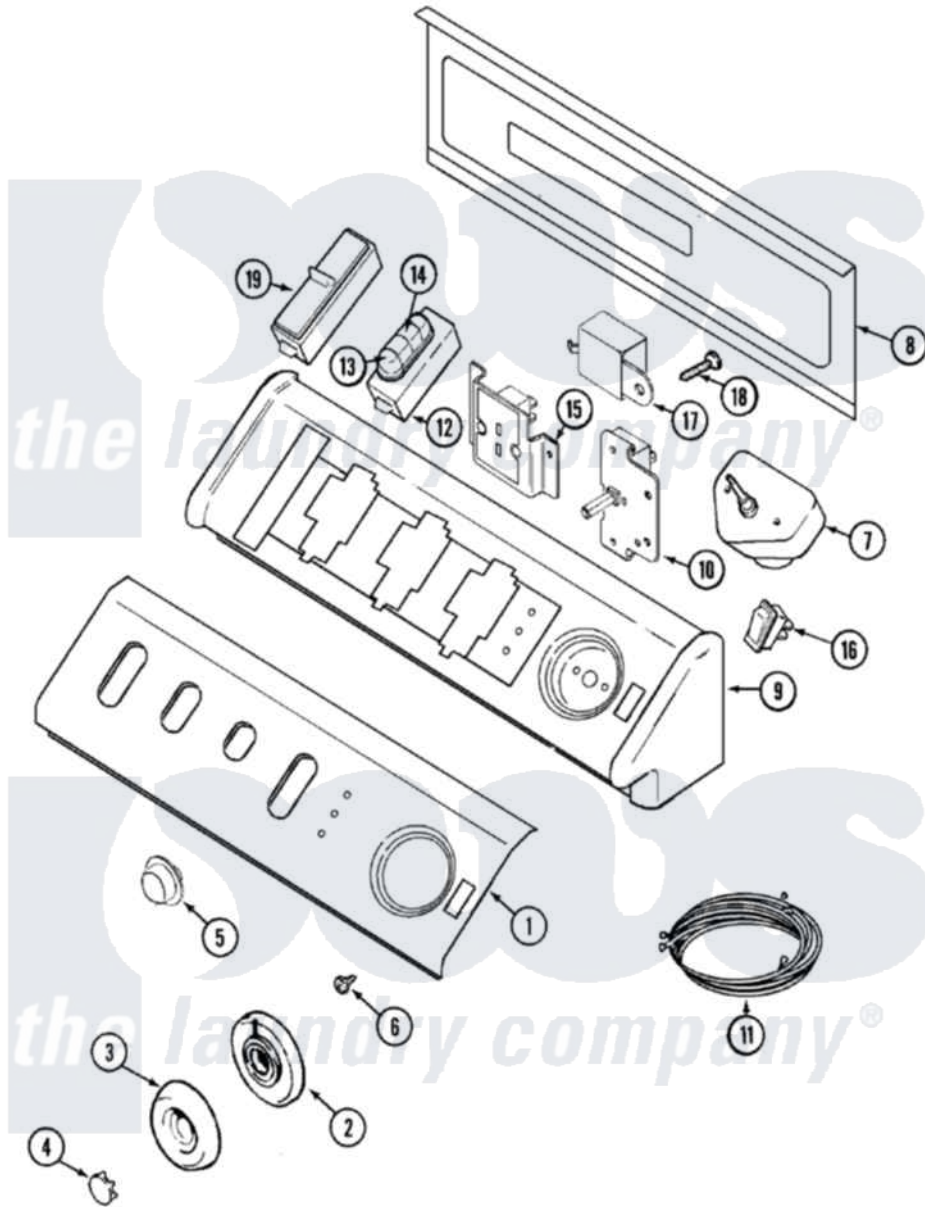


# Maytag MDG4000AXQ 03 - CONTROL PANEL



Maytag [Residential Maytag MDG4000AXQ Dryer Parts](#) Parts Diagram 03 - CONTROL PANEL  
 Click on the part number to view part

| Item | Original Part Number     | Replaced By              | Status        | Part Description                            |
|------|--------------------------|--------------------------|---------------|---|
| 1    | Y22002339                | <a href="#">8534058</a>  |               | Screw                                       |
| "    | <a href="#">33002423</a> |                          |               | Panel, Control                              |
| 2    | <a href="#">33002346</a> |                          |               | Skirt, Timer Dial                           |
| 3    | <a href="#">22001659</a> |                          |               | Timer Knob - Grey                           |
| 4    | <a href="#">33002347</a> |                          |               | Timer Knob Insert/Cap                       |
| 5    | <a href="#">33002435</a> |                          |               | Button, Push-To-Start                       |
| 6    | 33001690                 | <a href="#">90767</a>    |               | Screw, 8A X 3/8 HeX Washer Head Tapping     |
| 7    | <a href="#">33002676</a> |                          |               | Timer, Electronic Dry                       |
| "    | <a href="#">33001730</a> |                          |               | Timer                                       |
| 8    | 22002529                 |                          | Not Available | CONSOLE BACK PANEL                          |
| "    | 216423                   | <a href="#">3370225</a>  |               | Screw                                       |
| 9    | 33002327                 | <a href="#">37001115</a> |               | Console                                     |
| 10   | 33002356                 | <a href="#">33001618</a> |               | Switch- PU                                  |
| 11   | <a href="#">33002420</a> |                          |               | Wire Harness, Main Note: Wire Harness, Main |
| 12   | 33002415                 | <a href="#">33002414</a> |               | Switch, Option 4 Pos                        |

|    |                          |                           |                                      |
|----|--------------------------|---------------------------|--------------------------------------|
| 13 | <a href="#">22002697</a> |                           | Button, Switch                       |
| 14 | 22002698                 | <a href="#">22003875</a>  | Button- SW                           |
| 15 | 33002400                 |                           | Not Available                        |
|    |                          |                           | DRYNESS DISPLAY CONTROL (BSQ)        |
| 16 | <a href="#">33002418</a> |                           | 2 Pos. Rocker Switch                 |
| 17 | <a href="#">33001848</a> |                           | Signal, End Of Cycle                 |
| 18 | 33001860                 | <a href="#">W10116760</a> | Screw                                |
| 19 | 33002338                 | <a href="#">33001656</a>  | Switch, Temp Note: Switch, Inf. Temp |
| 20 | <a href="#">22001948</a> |                           | Lens, Indicator Light                |
| "  | <a href="#">22001403</a> |                           | Light, Indicator                     |
| 21 | <a href="#">33002426</a> |                           | Manual, Use And Care                 |
| "  | 33002427                 |                           | Not Available                        |
|    |                          |                           | MANUAL, USE & CARE (FRCH)            |

*the laundry company*<sup>®</sup>

**laund**  
*the laundry company*<sup>®</sup>

**laund**  
*the laundry company*<sup>®</sup>