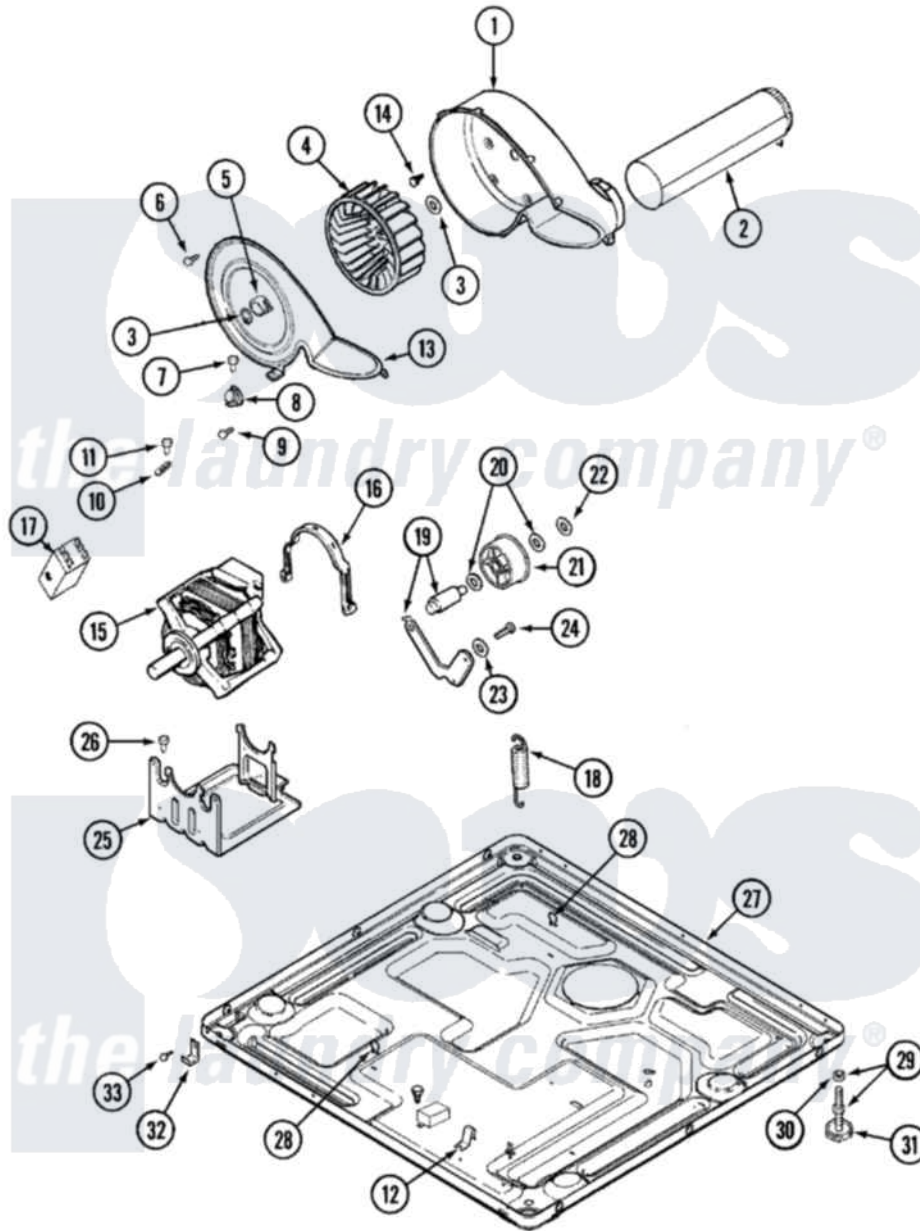


# Maytag MDG5000BWW 06 - MOTOR DRIVE



Maytag [Residential Maytag MDG5000BWW Dryer Parts](#) Parts Diagram 06 - MOTOR DRIVE  
 Click on the part number to view part

Item	Original Part Number	Replaced By	Status	Part Description
1	<a href="#">33001789</a>			Housing, Blower
2	<a href="#">22001995</a>			Screw Note: Screw, Tumbler Front And Shroud
"	<a href="#">33001800</a>			Duct Assembly, Exhaust
3	410233	<a href="#">9703438</a>		Ring-Retrn
4	<a href="#">33001790</a>			Wheel, Blower
5	<a href="#">312967</a>			Clamp, Blower Housing
6	33001855	<a href="#">33002917</a>		Screw, No.10-16
7	<a href="#">Y313561</a>			Screw---NA
8	<a href="#">307249</a>			Thermostat, Multi-Temp
9	22001996	<a href="#">3370225</a>		Screw
10	<a href="#">33001762</a>			Fuse, Thermal
11	314848	<a href="#">W10116760</a>		Screw
12	<a href="#">22002244</a>			Clip, Grounding
13	<a href="#">33001873</a>			Cover, Blower Housing---NA
14	314818	<a href="#">1163839</a>		Screw
15	33002462	<a href="#">33002478</a>		Motor

16	<a href="#">Y015825</a>		Clip, Motor To Motor Support
17	33001854	<a href="#">33002478</a>	Motor
18	<a href="#">33002157</a>		Grommet
"	33001754	<a href="#">33002459</a>	Assembly, Spring And Plug
19	33001840	<a href="#">6-3705180</a>	Idler Arm
20	<a href="#">Y312527</a>		Washer, Idler Shaft
21	33001783	<a href="#">6-3700340</a>	Bearing- I
22	312958	<a href="#">354987</a>	Ring, Retaining
23	<a href="#">315772</a>		Sleeve, Idler Arm
24	<a href="#">Y014874</a>		Screw, Idler Arm And Sleeve
25	<a href="#">Y313561</a>		Screw----NA
"	33002466	<a href="#">33002817</a>	Motor Support, Offset
26	<a href="#">Y313561</a>		Screw----NA
27	33001845	Not Available	BASE
28	<a href="#">410490</a>		Spring, Retainer Wire Harness
29	<a href="#">Y305086</a>		Adjustable Leg And Nut
30	Y052740	<a href="#">62739</a>	Nut, Lock
31	<a href="#">Y314137</a>		Foot, Rubber
32	<a href="#">22002239</a>		Clip, Front Panel
33	Y310632	<a href="#">1163839</a>	Screw

