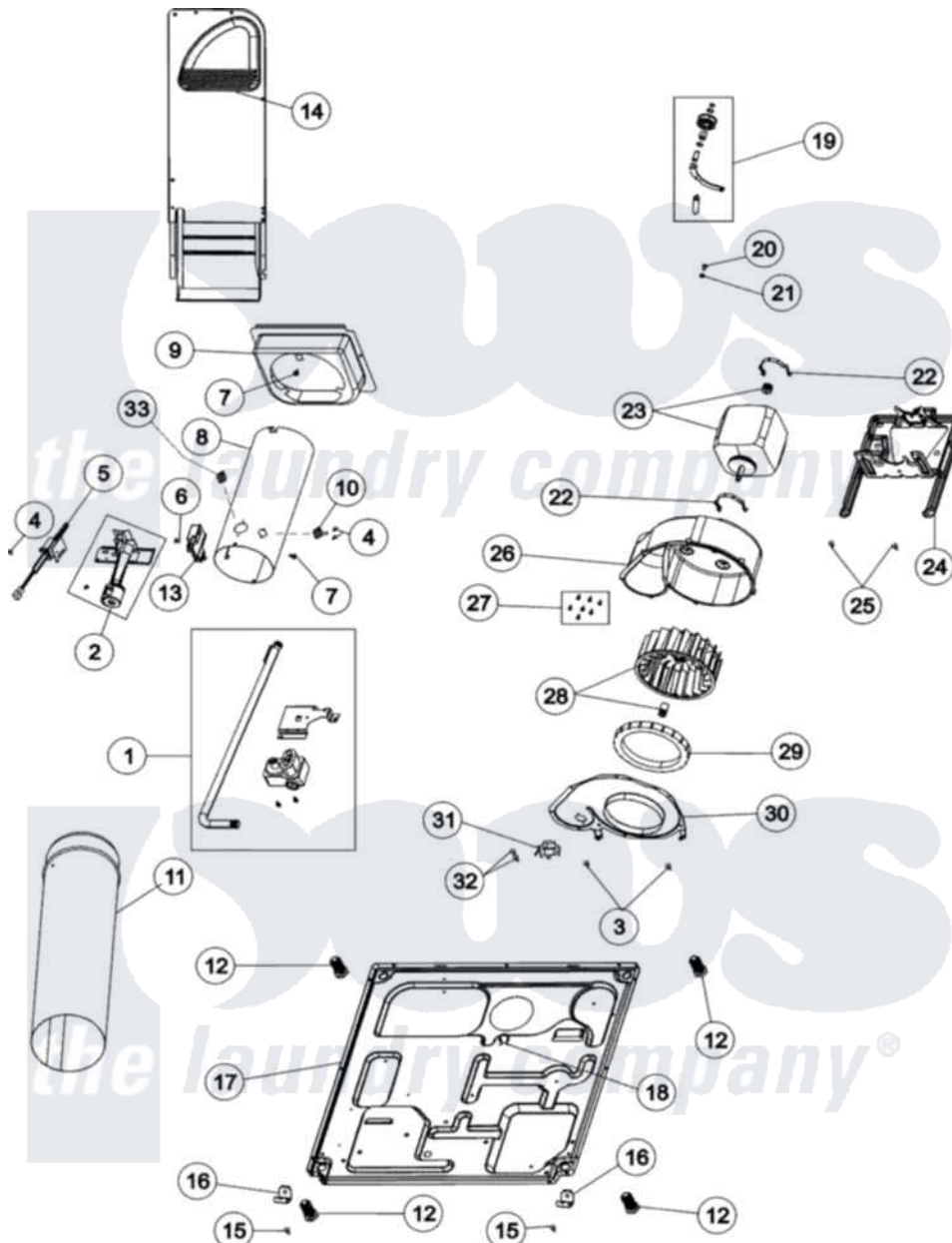


# Maytag MDG508DAWK 01 - BASE, HEATER & MOTOR (GAS)



Maytag Residential Maytag MDG508DAWK Dryer Parts Parts Diagram 01 - BASE, HEATER & MOTOR (GAS)  
 Click on the part number to view part

Item	Original Part Number	Replaced By	Status	Part Description
1	<a href="#">37001127</a>			Valve And Pipe Assembly
2	<a href="#">650P3</a>			Kit, Gas Burner Conversion
"	Y56234	<a href="#">37001304</a>		Burner Ign
"	649P3	<a href="#">LPK1</a>		LP Gas Con
3	<a href="#">503688</a>			Screw, 10B-16 X .34 I
4	56692	<a href="#">8281196</a>		Screw
5	40069801	<a href="#">37001308</a>		Ignitor
6	23222	<a href="#">3177991</a>		Screw
7	<a href="#">503688</a>			Screw, 10B-16 X .34 I
8	37001041	<a href="#">37001303</a>		Duct- Comb
9	500122	<a href="#">510101</a>		Shroud Heat Duct
10	<a href="#">Y61886</a>			Thermostat, Limit-Blk
11	<a href="#">505518</a>			Duct, Exhaust
12	<a href="#">Y500101</a>			Leg, Leveling
13	Y56231	<a href="#">338906</a>		Radiant, Sensor
14	<a href="#">503605</a>			Assembly, Heater Duct

15	<a href="#">27001200</a>		Screw
16	<a href="#">37001145</a>		Clip, Front Panel
17	<a href="#">37001156</a>		Dryer Base
18	501034	Not Available	HOOD-OVEN-LPG
19	<a href="#">37001287</a>		Assembly, Idler Lever/Shaft/Pulley
20	<a href="#">500824</a>		Screw, 1/4-20 Unc Hex
21	<a href="#">27001225</a>		Nut, Jam Mid Lock 1/4-20
"	<a href="#">31260</a>		Screw, No.8 X 3/8 Ind H
22	Y58047	<a href="#">660658</a>	Clamp, Motor Mounting 343481 685441
23	40048501	<a href="#">2200376</a>	Motor
24	<a href="#">503613</a>		Mount, Motor
25	<a href="#">27001200</a>		Screw
26	<a href="#">56020</a>		Housing, Blower
28	56000	<a href="#">510139P</a>	Assembly Blower Fan Package
29	<a href="#">37001119</a>		Seal, Blower Housing
30	500078	<a href="#">511969P</a>	Kit Blower Housing And Cover
31	<a href="#">37001136</a>		Thermostat, Cycling 146F
"	<a href="#">37001137</a>		Thermostat, Bias-Heated
32	501086	<a href="#">90767</a>	Screw, 8A X 3/8 HeX Washer Head Tapping
33	<a href="#">40113801</a>		Fuse, Thermal

