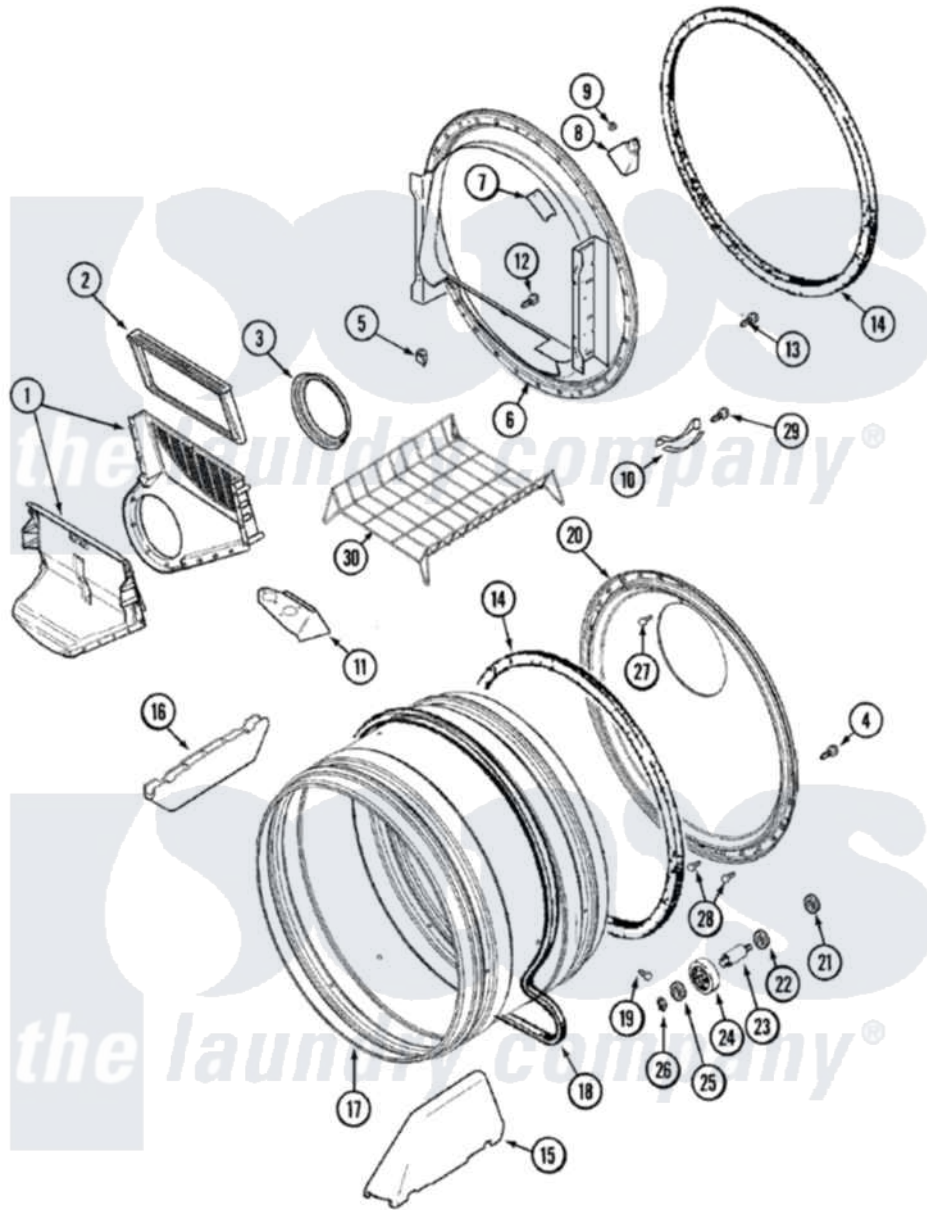


# Maytag MDG6200AWQ 08 - TUMBLER



Maytag Residential Maytag MDG6200AWQ Dryer Parts Parts Diagram 08 - TUMBLER  
 Click on the part number to view part

Item	Original Part Number	Replaced By	Status	Part Description
1	<a href="#">33001799</a>			Outlet Duct Assembly Note: Outlet Duct Assembly
2	<a href="#">33001808</a>			Filter, Lint
3	33001758	<a href="#">33002560</a>		Seal, Blower
4	<a href="#">33002190</a>			SCrew, C BraCe, BraCket, Cabinet
5	<a href="#">Y310376</a>			Clip, Door Switch Harness
6	<a href="#">33001903</a>			Front, Tumbler
7	<a href="#">33001871</a>			Screw Note: Screw, Drum Light
"	<a href="#">33001869</a>			Lens, Drum Light
8	<a href="#">22002263</a>			Lamp
"	33001870		Not Available	HOLDER, LAMP (W/HOUSING) NOTE: LAMP (W/HOUSING & HOLDER)
9	<a href="#">214872</a>			Palnut, End Cap Note: Nut, Lamp Holder
10	<a href="#">306508</a>			Tumbler Bearing Kit ---W
12	312311	<a href="#">312311MAY</a>		Screw

13	33001855	<a href="#">33002917</a>	Screw, No.10-16
14	<a href="#">33001807</a>		Seal, Tumbler
15	33001756	<a href="#">33002032</a>	Baffle
16	<a href="#">33001755</a>		Baffle
17	<a href="#">33001889</a>		Tumbler
18	33001777	<a href="#">33002535</a>	V-Belt
19	33001788	<a href="#">33002973</a>	Screw, No.9-15 X 1.00 Hx WS
20	<a href="#">33001801</a>		Back, Tumbler
21	<a href="#">33001443</a>		Nut, Hex
22	Y313347	<a href="#">312535</a>	Washer, Vault Mounting Brk.
23	Y312948	<a href="#">6-3129480</a>	Shaft- Tumbler
24	Y303373	<a href="#">12001541</a>	Drum Roller/Washer Assembly--W
25	<a href="#">312535</a>		Washer, Vault Mounting Brk.
26	410233	<a href="#">9703438</a>	Ring-Retrn
27	<a href="#">210932</a>		Screw, No.8 X 9/16 Ctsk Note: Screw, Inlet Duct
28	22001996	<a href="#">3370225</a>	Screw
29	<a href="#">210720</a>		Rivet, Bearing To Tumbler Fmt
30	33001917	<a href="#">33001917A</a>	Rack- Dryi

