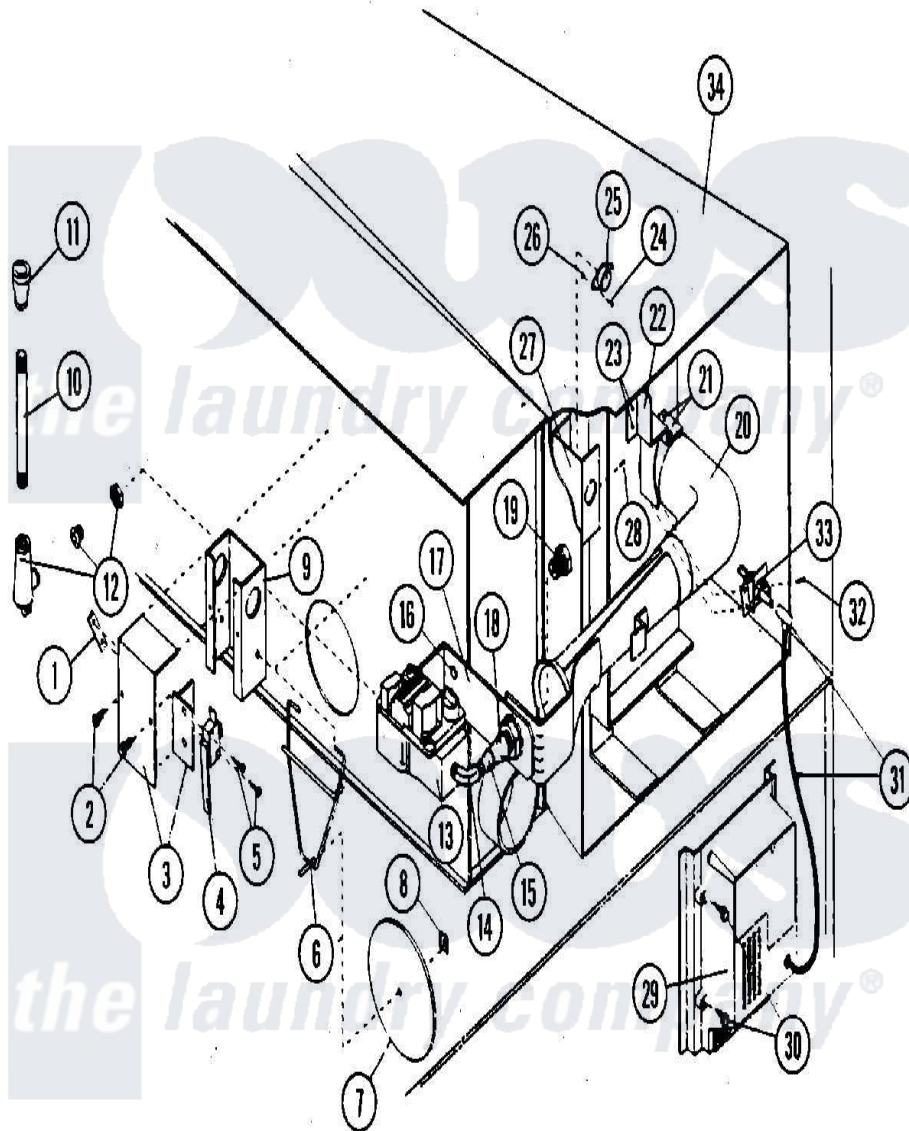


Maytag MDG75PN2VW 12 - BURNER ASSEMBLY (PROD. PRIOR 3/1/99)



Maytag Residential Maytag MDG75PN2VW Dryer Parts Parts Diagram 12 - BURNER ASSEMBLY (PROD. PRIOR 3/1/99)

Click on the part number to view part

Item	Original Part Number	Replaced By	Status	Part Description
000	W10124350		Not Available	ORDER PARTS FROM AMERICAN DRYER CORP AT 508-678-9000
001	A154004	<a href="#">154004</a>		Tinnerman
002	A150309	<a href="#">W10146761</a>		10-16 X 1
003	A802799	<a href="#">802799</a>		Sail Sw.bo
004	A122200	<a href="#">122200</a>		Sail Switch
005	A150303	<a href="#">150303</a>		4 X 3 4 P
006	A105500	<a href="#">W10146641</a>		Std Sail S
007	A319202	<a href="#">W10146866</a>		Sail Switch
008	A154002	<a href="#">154002</a>		1 8 Push O
009	A802800	<a href="#">802800</a>		Sail Switch
"	A802801	<a href="#">802801</a>		Sail Switch
010	A142812	<a href="#">142812</a>		1 2 X 3 Ni
011	A143000			1 2 X 3 4
012	A881367	<a href="#">W10148314</a>		1 2 Un

013	A128927		Not Available	VALVE, GAS (REDUNDANT) (1/2" 24 VAC, NATURAL GAS)
"	A140411		Not Available	CONVERSION KIT (1/2" 24 VAC GAS VALVE (L.P.) W/O ORIFICES
014	A142506	<a href="#">142506</a>		1 2 X 1 2
015	A142707	<a href="#">142707</a>		1 2 X 1 1
016	A150415		Not Available	SCREW, CRIMPTITE (PH. RD.HD.) (No.10-16 X 1/2" PH. RD. HD.)
017	A318710	<a href="#">318710</a>		75 gas Val
018	A143000			1 2 X 3 4
019	A141152	<a href="#">141152</a>		21 Orifice
"	A141153	<a href="#">141153</a>		Letter Siz
020	A141150		Not Available	UPSHOT BURNER W/SHUTTER & SPREADER
021	A150301	<a href="#">150301</a>		8-18 X 7
022	A318708	<a href="#">318708</a>		75 Burner
023	A150413		Not Available	SCREW, CRIMPTITE (No.10- 16 X 1/2" PH.)
024	A150001	<a href="#">150001</a>		6-32 X 1 2
025	A130201		Not Available	HI-LIMIT (330 DEG.)
026	A151000	<a href="#">WH12X195</a>		Switch Assembly
027	A318707		Not Available	HI-LIMIT MTG. BRKT. ONLY
028	A150309	<a href="#">W10146761</a>		10-16 X 1
029	A880815			MODULE, DSI (50HZ/60HZ)
030	A150299	<a href="#">150299</a>		10 X 1 H
031	A880330	<a href="#">W10148002</a>		DSI Ignitor
032	A150413		Not Available	SCREW, CRIMPTITE (No.10- 16 X 1/2" PH.)
033	A305410	<a href="#">305410</a>		Main Wire Harness
"	A874048	<a href="#">W10147902</a>		75 Igni
034	A804001	<a href="#">W10149277</a>		75 Upshot
"	A809619		Not Available	NATURAL GAS BURNER ASSY. COMPLETE (NO ORIFICE)(INCL.
"	A809620		Not Available	L.P. GAS BURNER ASSY. COMPLETE (NO ORIFICE)(INCL. ILLUS.
"	A874042	<a href="#">874042</a>		75 Upsho

