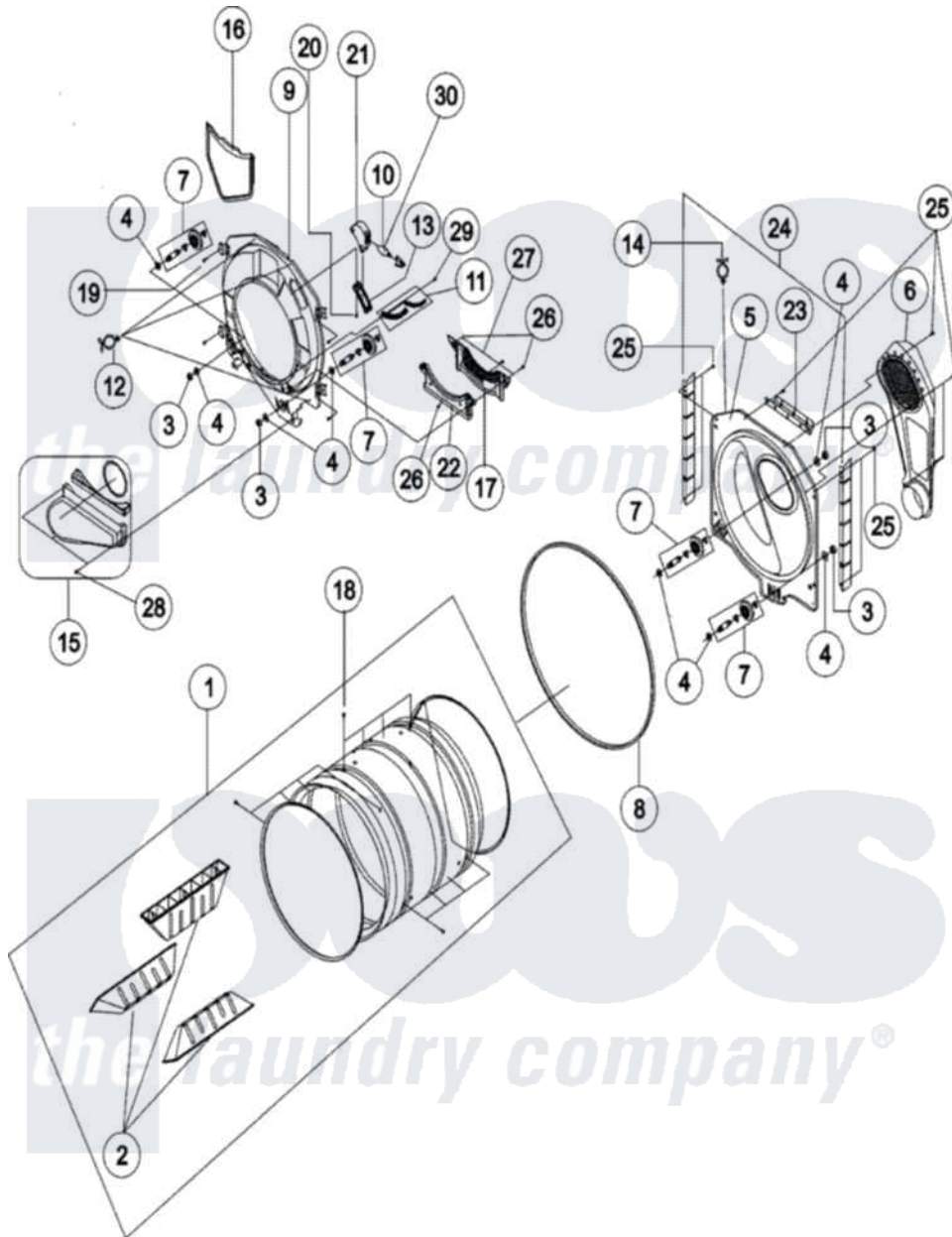


# Maytag MDG9700AWW 03 - DRUM



Maytag [Residential Maytag MDG9700AWW Dryer Parts](#) Parts Diagram 03 - DRUM  
 Click on the part number to view part

| Item | Original Part Number        | Replaced By               | Status        | Part Description         |
|------|-----------------------------|---------------------------|---------------|--------------------------|
| 1    | 35001130                    | <a href="#">W10296563</a> |               | Drum                     |
| 2    | <a href="#">35001131</a>    |                           |               | Baffle-Drum              |
| 3    | 35001132                    | <a href="#">23001661</a>  |               | Nut M10                  |
| 4    | <a href="#">35001133</a>    |                           |               | Washer, Support          |
| 5    | <a href="#">35001134</a>    |                           |               | Drum-Back                |
| 6    | 35001135                    |                           | Not Available | Air Duct Assembly        |
| "    | <a href="#">35001240</a>    |                           |               | Assembly, Air-Duct       |
| 7    | 35001136                    | <a href="#">W10177428</a> |               | Assembly, Roller-Support |
| 8    | 35001137                    | <a href="#">W10205415</a> |               | Belt                     |
| 9    | <a href="#">35001149</a>    |                           |               | Assembly-Drum Front      |
| 10   | 35001138                    | <a href="#">22002263</a>  |               | Lamp                     |
| 11   | <a href="#">35001150</a>    |                           |               | Assembly-Guide Sensor    |
| 12   | <a href="#">6046-000310</a> |                           |               | Stand Off                |
| 13   | <a href="#">35001139</a>    |                           |               | Cover-Lamp               |
| 14   | 35001004                    | <a href="#">M0585401</a>  |               | Tie, Wire                |
| 15   | <a href="#">35001140</a>    |                           |               | Assembly, Lint Duct      |

|    |                          |                          |                                |
|----|--------------------------|--------------------------|--------------------------------|
| 16 | <a href="#">35001141</a> |                          | Case-Filter                    |
| 17 | <a href="#">35001142</a> |                          | Cover-Filter                   |
| 18 | 6002-001204              | Not Available            | SCREW-TAPPING                  |
| 19 | <a href="#">34001211</a> |                          | Screw-Pump Bracket             |
| 20 | 6002-001006              | Not Available            | SCREW                          |
| 21 | <a href="#">35001143</a> |                          | Guide-Lamp                     |
| 22 | <a href="#">35001144</a> |                          | Cover-Filter                   |
| 23 | <a href="#">35001145</a> |                          | Bracket, Upper Rear Bulkhead   |
| 24 | <a href="#">35001146</a> |                          | Channel Bracket, Rear Bulkhead |
| 25 | 6002-000239              | Not Available            | Screw-Tapping (10)             |
| 26 | 35001147                 | <a href="#">97001095</a> | Screw-Motor                    |
| 27 | 6002-001320              | <a href="#">489355</a>   | Screw, 8 X 1/2                 |
| 28 | 6002-000231              | Not Available            | Screw-Tapping (5)              |
| 29 | 6002-001320              | <a href="#">489355</a>   | Screw, 8 X 1/2                 |
| 30 | <a href="#">35001148</a> |                          | Socket-Lamp                    |

