

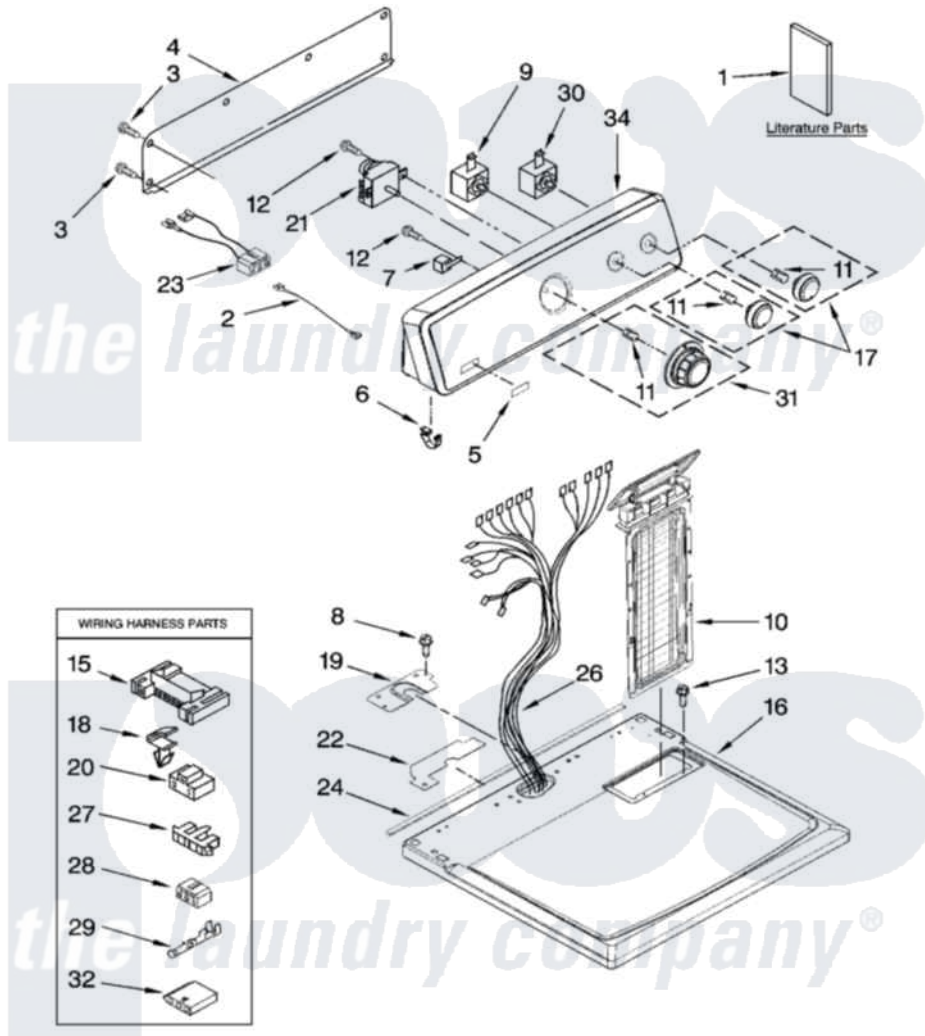
# Maytag MED5621TQ0 01 - TOP AND CONSOLE PARTS



## TOP AND CONSOLE PARTS

29" ELECTRIC DRYER

For Model: MED5621TQ0  
(White)



11-07 Litho in U.S.A. (LAN)

FOR ORDERING INFORMATION REFER TO PARTS PRICE LIST

1

Part No. W10118327 Rev. B

Maytag [Residential Maytag MED5621TQ0 Dryer Parts](#) Parts Diagram 01 - TOP AND CONSOLE PARTS

[Click on the part number to view part](#)

Item	Original Part Number	Replaced By	Status	Part Description
1	W10150608		Not Available	Use & Care Guide (English)
"	8576817		Not Available	Wiring Diagram
"	W10150652		Not Available	Sheet, Cycle Feature (English)
2	<a href="#">W10113080</a>			Wire, Jumper
3	<a href="#">693995</a>			Screw, Hex Head
4	<a href="#">W10112576</a>			Panel, Rear Console
5	W10112569	<a href="#">W10203949</a>		Medallion
6	<a href="#">8312709</a>			Clip-Console
7	<a href="#">694419</a>			Mini-Buzzer
8	337686		Not Available	SCREW, 8-18 X .500
9	<a href="#">3399640</a>			Switch, Rotary
10	<a href="#">8565972</a>			Screen, Lint
11	<a href="#">8536939</a>			Clip, Knob
12	8533971	<a href="#">90767</a>		Screw, 8A X 3/8 HeX Washer Head Tapping
13	688983	<a href="#">487240</a>		Screw, For Mtg. Service Capacitor

15	<a href="#">3395683</a>		Receptacle, Multi-Terminal
16	W10112597	<a href="#">W10112599</a>	Top
17	<a href="#">W10110029</a>		Knob, Control
18	<a href="#">3394427</a>		Clip-Harness
19	<a href="#">8565981</a>		Bracket, Harness
20	<a href="#">3401144</a>		Connector
21	<a href="#">3979617</a>		Timer, 60 Hz
22	<a href="#">W10118608</a>		Foam-Seal Console Bracket
23	<a href="#">W10113107</a>		Wire, Jumper
24	<a href="#">W10112267</a>		Foam-Seal Control Bracket
26	<a href="#">W10110864</a>		Harness, Wiring
27	<a href="#">3397269</a>		Connector, Timer
28	<a href="#">3347243</a>		Block, Disconnect
29	<a href="#">94614</a>		Terminal
30	<a href="#">W10117655</a>		Switch, Push-To-Start
31	<a href="#">W10110030</a>		Timer Knob Assembly
32	<a href="#">3936144</a>		Do-It-Yourself Repair Manuals
34	<a href="#">W10086706</a>		Console And Control Panel Assembly

