

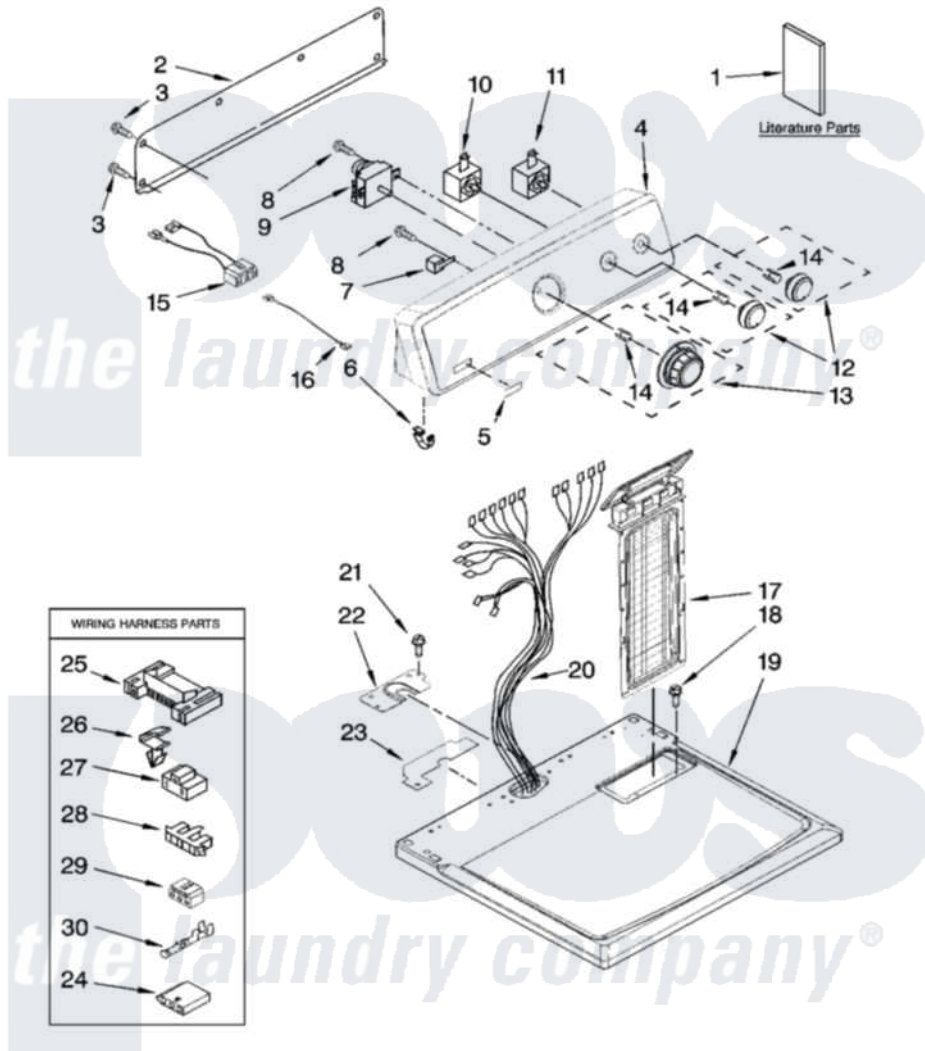
Maytag MED5640TQ1 01 - TOP AND CONSOLE PARTS



TOP AND CONSOLE PARTS

29" ELECTRIC DRYER

For Model: MED5640TQ1
(White)



9-07 Litho in U.S.A. (LT)

1

Part No. W10164760 Rev. A

Maytag [Residential Maytag MED5640TQ1 Dryer Parts](#) Parts Diagram 01 - TOP AND CONSOLE PARTS

[Click on the part number to view part](#)

| Item | Original Part Number | Replaced By | Status | Part Description |
|------|---------------------------|---------------------------|---------------|---|
| 1 | W10088770 | | Not Available | Guide, Use & Care |
| " | 8576817 | | Not Available | Wiring Diagram |
| " | W10089170 | | Not Available | Sheet, Cycle Feature |
| 2 | W10112577 | | | Panel, Rear Console |
| 3 | 693995 | | | Screw, Hex Head |
| 4 | W10086708 | W10142684 | | Console |
| 5 | W10112569 | W10203949 | | Medallion |
| 6 | 8312709 | | | Clip-Console |
| 7 | 694419 | | | Mini-Buzzer |
| 8 | 8533971 | 90767 | | Screw, 8A X 3/8 HeX Washer Head Tapping |
| 9 | 8578906 | | | Timer, 60 Hz |
| 10 | 3399640 | | | Switch, Rotary |
| 11 | W10117655 | | | Switch, Push-To-Start |
| 12 | W10110029 | | | Knob, Control |
| 13 | W10110030 | | | Timer Knob Assembly |
| 14 | 8536939 | | | Clip, Knob |

| | | | |
|----|---------------------------|---------------------------|-----------------------------------|
| 15 | W10113107 | | Wire, Jumper |
| 16 | W10113080 | | Wire, Jumper |
| 17 | 8565972 | | Screen, Lint |
| 18 | 688983 | 487240 | Screw, For Mtg. Service Capacitor |
| 19 | W10112597 | W10112599 | Top |
| 20 | W10110991 | | Harness, Wiring |
| 21 | 337686 | Not Available | SCREW, 8-18 X .500 |
| 22 | W10112578 | | Harness, Bracket |
| 23 | W10112603 | | Seal, Harness |
| 24 | 3936144 | | Do-It-Yourself Repair Manuals |
| 25 | 3395683 | | Receptacle, Multi-Terminal |
| 26 | 3394427 | | Clip-Harness |
| 27 | 3401144 | | Connector |
| 28 | 3397269 | | Connector, Timer |
| 29 | 3347243 | | Block, Disconnect |
| 30 | 94614 | | Terminal |

