

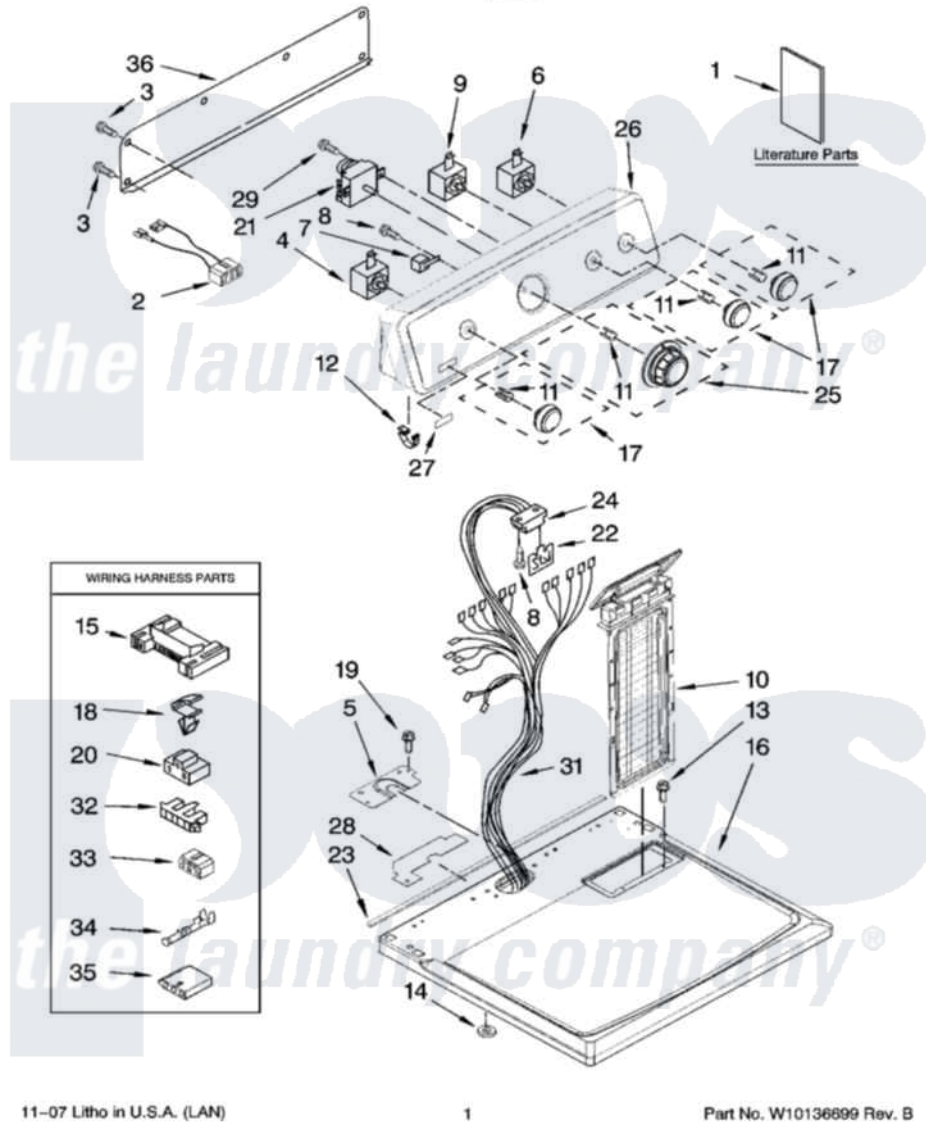
# Maytag MED5721TQ0 01 - TOP AND CONSOLE PARTS



## TOP AND CONSOLE PARTS

For Model: MED5721TQ0  
(White)

29" ELECTRIC DRYER



11-07 Litho in U.S.A. (LAN)

1

Part No. W10136899 Rev. B

Maytag [Residential Maytag MED5721TQ0 Dryer Parts](#) Parts Diagram 01 - TOP AND CONSOLE PARTS

[Click on the part number to view part](#)

Item	Original Part Number	Replaced By	Status	Part Description
1	W10150648		Not Available	Sheet, Cycle Feature
"	W10150608		Not Available	Use & Care Guide (English)
"	8578889		Not Available	Wiring Diagram
2	<a href="#">W10113080</a>			Wire, Jumper
3	<a href="#">693995</a>			Screw, Hex Head
4	<a href="#">3405156</a>			Switch, Rotary
5	<a href="#">8565981</a>			Bracket, Harness
6	<a href="#">W10117655</a>			Switch, Push-To-Start
7	<a href="#">694419</a>			Mini-Buzzer
8	343641	<a href="#">681414</a>		Screw, 10AB X 1/2
9	<a href="#">8578352</a>			Switch, Temperature
10	<a href="#">8565972</a>			Screen, Lint
11	<a href="#">8536939</a>			Clip, Knob
12	<a href="#">8312709</a>			Clip-Console
13	688983	<a href="#">487240</a>		Screw, For Mtg. Service Capacitor
14	237446	<a href="#">487596</a>		Washer

15	<a href="#">3395683</a>		Receptacle, Multi-Terminal
16	<a href="#">W10112599</a>		Top
17	<a href="#">W10110029</a>		Knob, Control
18	<a href="#">3394427</a>		Clip-Harness
19	337686	Not Available	SCREW, 8-18 X .500
20	<a href="#">3401144</a>		Connector
21	<a href="#">8566184</a>		Timer Assembly
22	<a href="#">8558178</a>		Control, Electronic
23	<a href="#">W10112267</a>		Foam-Seal Control Bracket
24	<a href="#">3391885</a>		Connector, Edge
25	<a href="#">W10110030</a>		Timer Knob Assembly
26	W10086726	Not Available	Console & Control Panel Assembly (Includes Items 12 & 27)
27	W10112569	<a href="#">W10203949</a>	Medallion
28	<a href="#">W10118608</a>		Foam-Seal Console Bracket
29	8533971	<a href="#">90767</a>	Screw, 8A X 3/8 HeX Washer Head Tapping
31	<a href="#">W10113070</a>		Harness, Wiring
32	<a href="#">3397269</a>		Connector, Timer
33	<a href="#">3347243</a>		Block, Disconnect
34	<a href="#">94614</a>		Terminal
35	<a href="#">3936144</a>		Do-It-Yourself Repair Manuals
36	<a href="#">W10112576</a>		Panel, Rear Console

