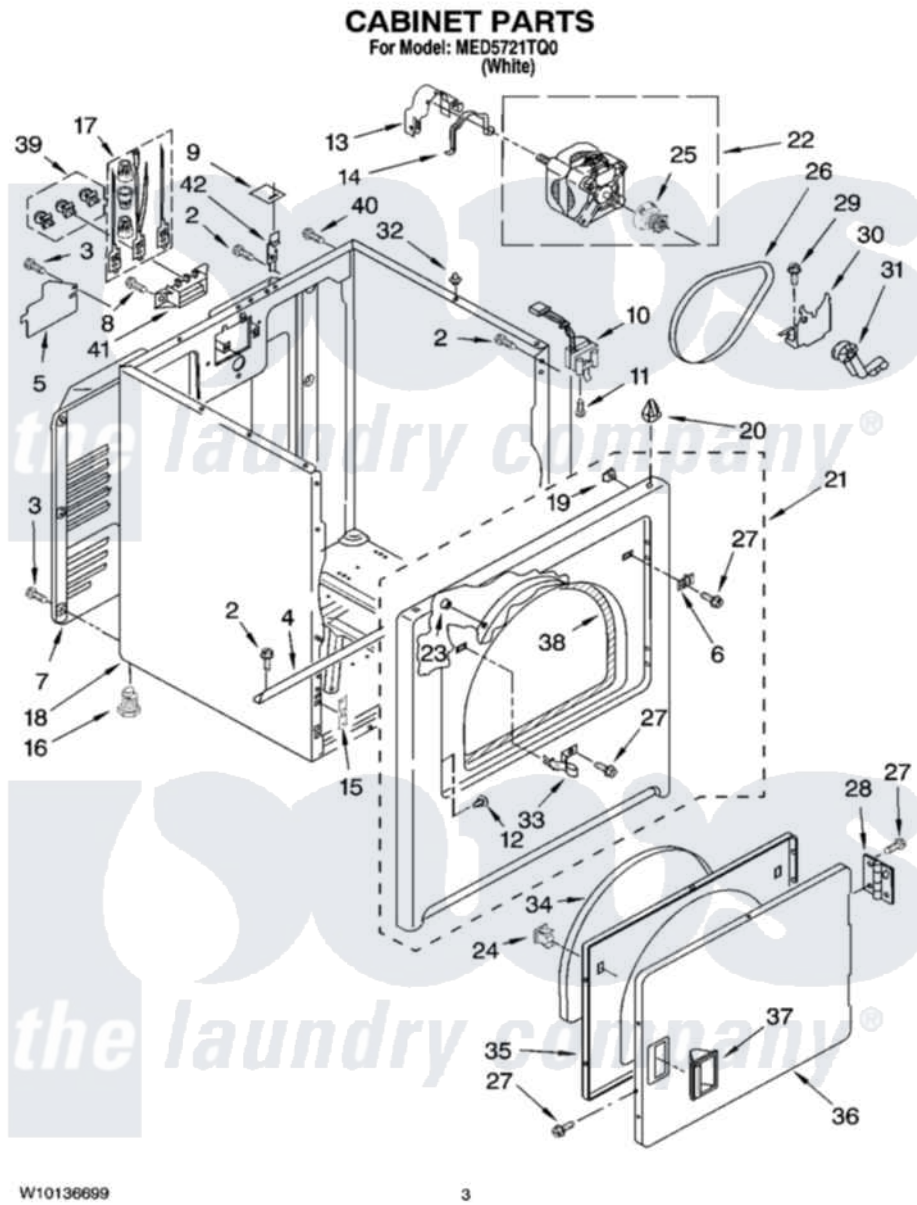


Maytag MED5721TQ0 02 - CABINET PARTS



W10136699

3

Maytag [Residential Maytag MED5721TQ0 Dryer Parts](#) Parts Diagram 02 - CABINET PARTS
Click on the part number to view part

Item	Original Part Number	Replaced By	Status	Part Description
2	343641	681414		Screw, 10AB X 1/2
3	693995			Screw, Hex Head
4	8541400			Bracket, Cabinet
5	3396795			Cover, Terminal Block
6	3403630			Plug, Strike Hole
7	3396805	280043		Panel-Rear
8	3393008	308685		Side Trim)
9	18849			Pad, Top Hinge
10	3406107			Door Switch Assembly
11	697773	3395530		Screw
12	3404413			Plug, Hinge Hole
13	3404162			Clamp, Motor
14	660658			Clamp, Motor Mounting 343481 685441
15	3394083			Clip, Front Panel
16	3392100	49621		Feet-Leveling
"	279810			Foot-Optional

17	279318		Terminal Tinned And Brass Panel
18	8530603	8533643	Cabinet
19	98234		Clip, U-Bend
20	98669		Lock, Front Top
21	3403444	279852	Panel
22	8066206	279827	Motor-Drve
23	685203	279220	Clip
24	3389441		Door Catch Assembly
25	8066184		Pulley, Motor
26	W10131364	341241	Belt
27	342055	488627	Screw
28	3405514	W10362431	Hinge And Pin Assembly
29	3400500		Bolt, 3405245 5/16-18 X 3/4
30	348780		Base, Motor
31	691366		Idler And Pulley Assembly
32	18776		Lock, Front Top
33	3403431		Strike, Panel
34	3405246		Seal, Door Push-To-Start
35	3402341		Door, Inner
36	3402335		Door, Front
37	8565970		Handle, Door
38	3406129		Seal And Bearing Assembly
39	279393		Terminal Block Screw Kit
40	697776	4331106	Screw, No.10-32 X 7/16
41	3397659		Block, Terminal
42	8066217		Hinge, Top

the laundry company[®]

the laundry company[®]