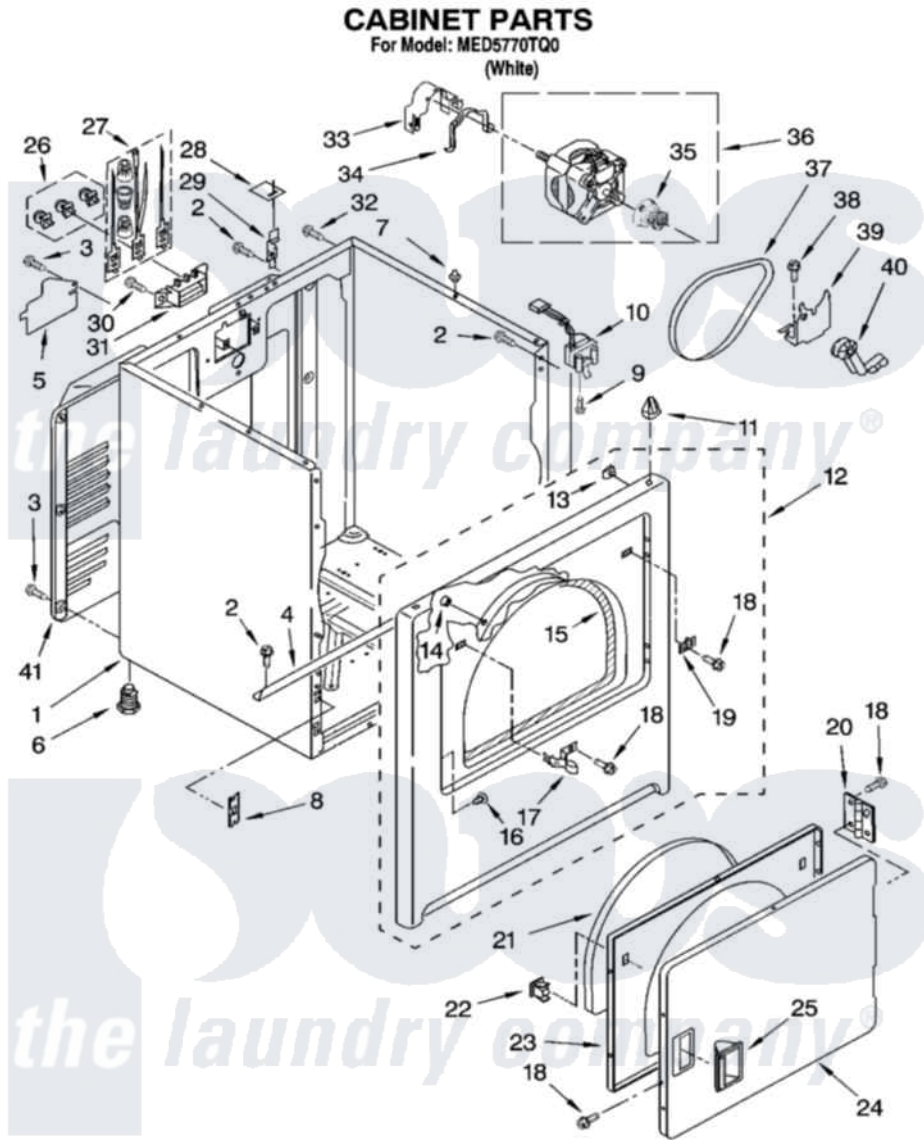


Maytag MED5770TQ0 02 - CABINET PARTS



W10133727

3

Maytag [Residential Maytag MED5770TQ0 Dryer Parts](#) Parts Diagram 02 - CABINET PARTS
Click on the part number to view part

Item	Original Part Number	Replaced By	Status	Part Description
1	8530603	8533643		Cabinet
2	343641	681414		Screw, 10AB X 1/2
3	693995			Screw, Hex Head
4	8541400			Bracket, Cabinet
5	3396795			Cover, Terminal Block
6	3392100	49621		Feet-Leveling
"	279810			Foot-Optional
7	18776			Lock, Front Top
8	3394083			Clip, Front Panel
9	697773	3395530		Screw
10	3406107			Door Switch Assembly
11	98669			Lock, Front Top
12	3403444	279852		Panel
13	98234			Clip, U-Bend
14	685203	279220		Clip
15	3406129			Seal And Bearing Assembly

16	3404413		Plug, Hinge Hole
17	3403431		Strike, Panel
18	342055	488627	Screw
19	3403630		Plug, Strike Hole
20	3405514	W10362431	Hinge And Pin Assembly
21	3405246		Seal, Door Push-To-Start
22	3389441		Door Catch Assembly
23	3402341		Door, Inner
24	3402335		Door, Front
25	8565970		Handle, Door
26	279393		Terminal Block Screw Kit
27	279318		Terminal Tinned And Brass Panel
28	18849		Pad, Top Hinge
29	8066217		Hinge, Top
30	3393008	308685	Side Trim)
31	3397659		Block, Terminal
32	697776	4331106	Screw, No.10-32 X 7/16
33	3404162		Clamp, Motor
34	660658		Clamp, Motor Mounting 343481 685441
35	8066184		Pulley, Motor
36	8066206	279827	Motor-Drve
37	W10131364	341241	Belt
38	3400500		Bolt, 3405245 5/16-18 X 3/4
39	348780		Base, Motor
40	691366		Idler And Pulley Assembly
41	3396805	280043	Panel-Rear

the laundry company[®]

the laundry company[®]