

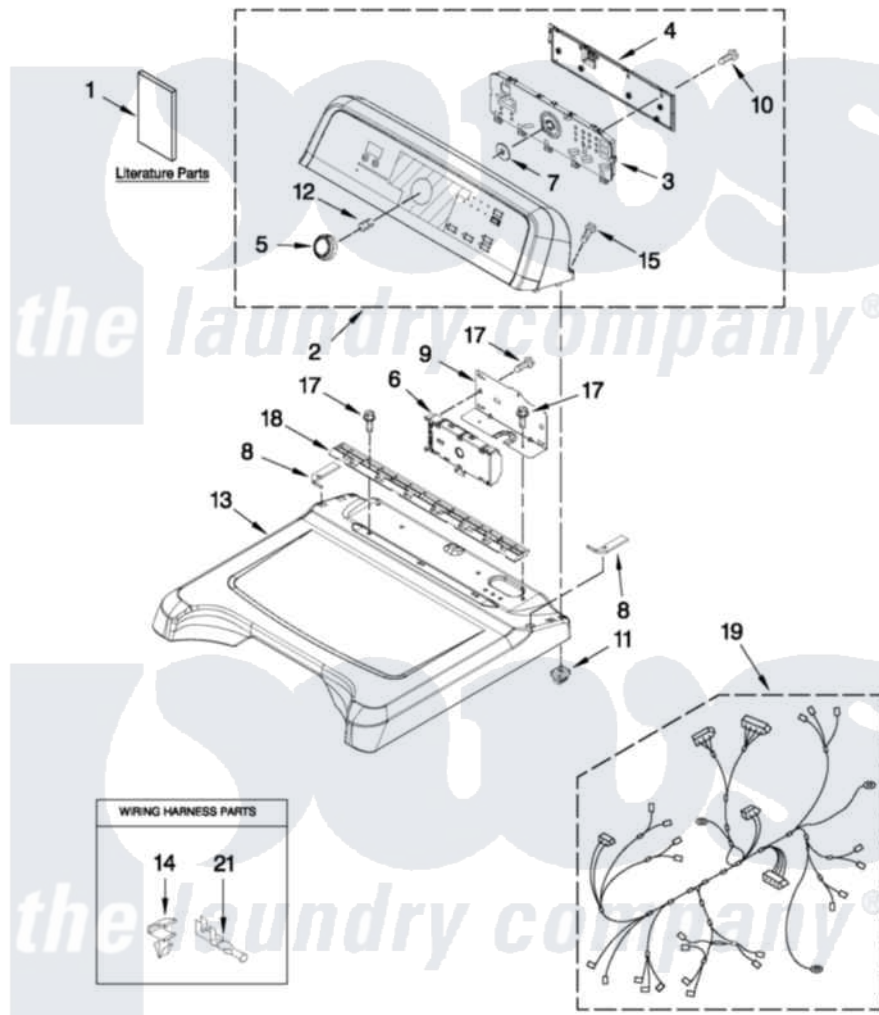
# Maytag MEDB850WL1 01 - TOP AND CONSOLE PARTS

**MAYTAG**

## TOP AND CONSOLE PARTS

27" ELECTRIC DRYER

For Model: MEDB850WQ1, MEDB850WB1, MEDB850WR1, MEDB850WL1  
(White) (Black) (Red) (Mercury)



4-11 Printed in U.S.A. (JLP)(bay)

1

Part No. W10407964 Rev. A

Maytag [Residential Maytag MEDB850WL1 Dryer Parts](#) Parts Diagram 01 - TOP AND CONSOLE PARTS

[Click on the part number to view part](#)

| Item | Original Part Number      | Replaced By | Status        | Part Description               |
|------|---------------------------|-------------|---------------|--------------------------------|
| 1    | W10388775                 |             | Not Available | INSTALLATION, DIAGNOSTIC GUIDE |
| "    | W10260037                 |             | Not Available | GUIDE, USE & CARE              |
| "    | W10156733                 |             | Not Available | Tech Sheet                     |
| 2    | <a href="#">W10252468</a> |             |               | Panel, Console                 |
| "    | <a href="#">W10252471</a> |             |               | Panel, Console                 |
| "    | <a href="#">W10252470</a> |             |               | Panel, Console                 |
| "    | <a href="#">W10252469</a> |             |               | Panel, Console                 |
| 3    | <a href="#">W10336131</a> |             |               | User Interface                 |
| 4    | <a href="#">W10051124</a> |             |               | Cover, Rear                    |
| 5    | <a href="#">W10051126</a> |             |               | Knob Assembly                  |
| 6    | <a href="#">W10111620</a> |             |               | Control Electronic             |
| 7    | <a href="#">8572039</a>   |             |               | Seal, User Interface           |
| 8    | <a href="#">W10219695</a> |             |               | Foam Seal, Top                 |
| "    | <a href="#">W10219694</a> |             |               | Foam Seal, Top                 |
| 9    | <a href="#">8563853</a>   |             |               | Bracket, Machine Controller    |
| 10   | <a href="#">W10003770</a> |             |               | Screw, 6-19 X 1/2              |

|    |                           |               |                     |
|----|---------------------------|---------------|---------------------|
| 11 | <a href="#">W10112673</a> |               | Screw, Grommet      |
| 12 | <a href="#">W10153920</a> |               | Spring, Knob        |
| 13 | <a href="#">W10223157</a> |               | Top                 |
| "  | <a href="#">W10223158</a> |               | Top                 |
| "  | <a href="#">W10283288</a> |               | Top                 |
| "  | <a href="#">W10283289</a> |               | Top                 |
| 14 | <a href="#">3394427</a>   |               | Clip-Harness        |
| 15 | <a href="#">W10131402</a> |               | Screw, 8-18 X 1.370 |
| 17 | 337686                    | Not Available | SCREW, 8-18 X .500  |
| 18 | <a href="#">W10110295</a> |               | Bracket, Console    |
| 19 | <a href="#">W10319802</a> |               | Harness, Electric   |
| 21 | <a href="#">94614</a>     |               | Terminal            |

*the laundry company*<sup>®</sup>

*the laundry company*<sup>®</sup>

*the laundry company*<sup>®</sup>