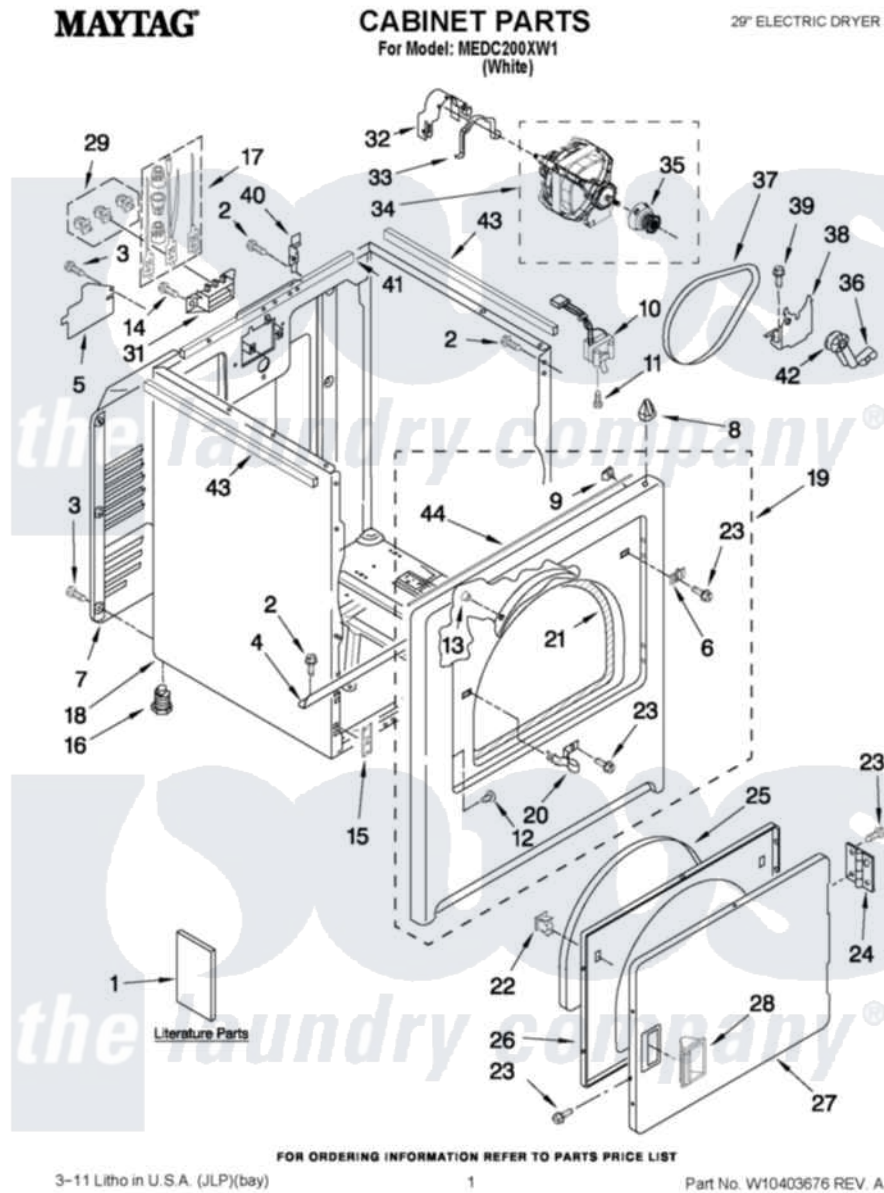


Maytag MEDC200XW1 01 - CABINET PARTS



Maytag [Residential Maytag MEDC200XW1 Dryer Parts](#) Parts Diagram 01 - CABINET PARTS
 Click on the part number to view part

| Item | Original Part Number | Replaced By | Status | Part Description |
|------|---------------------------|-------------------------|---------------|----------------------------|
| 1 | W10096990 | | Not Available | USE & CARE GUIDE |
| " | W10185989 | | Not Available | WIRING DIAGRAM |
| " | W10096987 | | Not Available | INSTRUCTIONS, INSTALLATION |
| 2 | 3390631 | | | Screw, 10-16 X 3/8 |
| 3 | 693995 | | | Screw, Hex Head |
| 4 | W10236073 | | | Bracket, Cabinet |
| 5 | 3396795 | | | Cover, Terminal Block |
| 6 | 3403630 | | | Plug, Strike Hole |
| 7 | 3396805 | 280043 | | Panel-Rear |
| 8 | 690363 | 18776 | | Lock, Front Top |
| 9 | 98234 | | | Clip, U-Bend |
| 10 | 3406109 | 3406107 | | Door Switch Assembly |
| 11 | 697773 | 3395530 | | Screw |
| 12 | 3404413 | | | Plug, Hinge Hole |
| 13 | 685203 | 279220 | | Clip |
| 14 | 3390631 | | | Screw, 10-16 X 3/8 |

| | | | |
|----|---------------------------|-------------------------|-----------------------------------|
| 15 | 3394083 | | Clip, Front Panel |
| 16 | 3392100 | 49621 | Feet-Leveling |
| NI | 279810 | | Foot-Optional |
| 17 | 279318 | | Terminal Tinned And Brass Panel |
| 18 | 8530603 | 8533643 | Cabinet |
| 19 | W10224856 | | Panel, Front And Seal Assembly |
| 20 | 3403431 | | Strike, Panel |
| 21 | 3406129 | | Seal And Bearing Assembly |
| 22 | 3389441 | | Door Catch Assembly |
| 23 | 342055 | 488627 | Screw |
| 24 | W10362431 | | Hinge And Pin Assembly |
| 25 | 3405246 | | Seal, Door Push-To-Start |
| 26 | 3402341 | | Door, Inner |
| 27 | 3402335 | | Door, Front |
| 28 | 8565970 | | Handle, Door |
| 29 | 279393 | | Terminal Block Screw Kit |
| 31 | 3397659 | | Block, Terminal |
| 32 | 3404162 | | Clamp, Motor |
| 33 | W10121316 | | Plug, Multivent |
| 34 | 8066206 | 279827 | Motor-Drve |
| 35 | 8066184 | | Pulley, Motor |
| 36 | 691366 | | Idler And Pulley Assembly |
| 37 | W10198086 | | Belt, Drive |
| 38 | 348780 | | Base, Motor |
| 39 | 3400500 | | Bolt, 3405245 5/16-18 X 3/4 |
| 40 | 8066217 | | Hinge, Top |
| 41 | W10224934 | | Cabinet |
| 42 | 691362 | | Idler Pulley And Bearing Assembly |
| 43 | W10316529 | | Foam-Seal Cabinet |
| 44 | W10316619 | | Seal, Spill Guard Foam |

