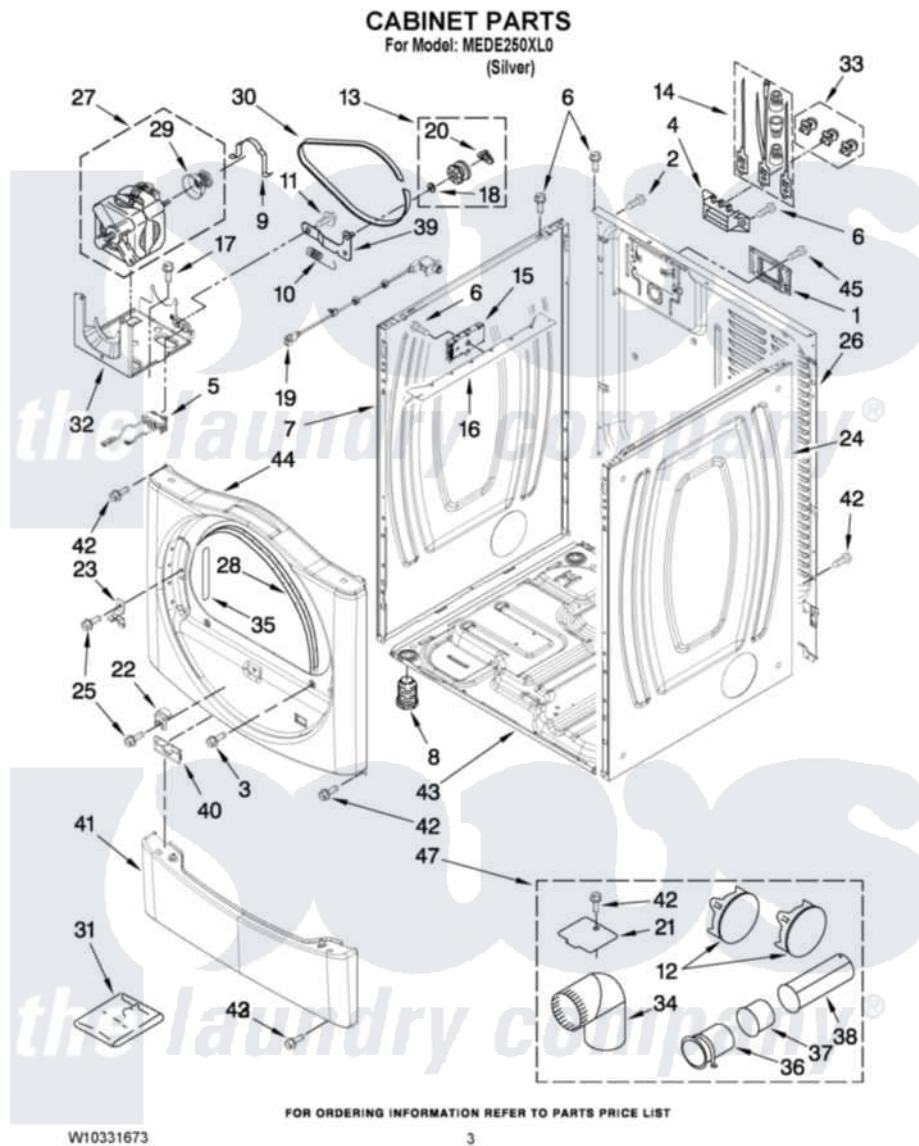


Maytag MEDE250XL0 02 - CABINET PARTS



Maytag Residential Maytag MEDE250XL0 Dryer Parts Parts Diagram 02 - CABINET PARTS
Click on the part number to view part

| Item | Original Part Number | Replaced By | Status | Part Description |
|------|---------------------------|---------------------------|--------|---|
| 1 | W10286180 | W10119283 | | Cover, Terminal Block |
| 2 | 8533974 | 4331106 | | Screw, No.10-32 X 7/16 |
| 3 | 3357011 | 308685 | | Side Trim) |
| 4 | 3397659 | | | Block, Terminal |
| 5 | W10246525 | W10314253 | | Switch, Assembly Broken Belt |
| 6 | 90767 | | | Screw, 8A X 3/8 HeX Washer Head Tapping |
| 7 | W10251218 | | | Panel, Side |
| 8 | 3392100 | 49621 | | Feet-Leveling |
| NI | 279810 | | | Foot-Optional |
| 9 | 660658 | | | Clamp, Motor Mounting 343481 685441 |
| 10 | 3387374 | | | Spring, Idler |
| 11 | 3389420 | | | Retainer-Idler 1/4-20 X 1/16 |
| 12 | 49252 | | | Plug, Multivent |
| 13 | 3388672 | 279640 | | Pulley-ldr |
| 14 | 279218 | | | Terminal Tinned And Brass |

| | | | |
|----|---------------------------|---------------------------|--|
| 14 | 279910 | | Panel |
| 15 | W10235613 | | Board, Control |
| 16 | 8563727 | | Bracket, Control |
| 17 | 343641 | 681414 | Screw, 10AB X 1/2 |
| 18 | W10121334 | | Washer, Thrust |
| 19 | W10128087 | W10318609 | Switch, Assembly Door |
| 20 | 690997 | | Washer, Thrust |
| 21 | 8066115 | 3394331 | Plate Cover |
| 22 | 8565083 | | Ramp, Door |
| 23 | 8565122 | | Strike, Door |
| 24 | W10251219 | | Panel, Side |
| 25 | 3393008 | 308685 | Side Trim) |
| 26 | 8565059 | | Panel, Rear |
| 27 | 8538263 | 279787 | Motor-Drive |
| 28 | 3387242 | | Seal, Front Panel |
| 29 | 8578220 | | Pulley, Motor |
| 30 | W10112954 | | Belt, Drive |
| 31 | 8572546 | | Odor Remover |
| 32 | W10242878 | | Bracket, Motor Mounting |
| 33 | 279393 | | Terminal Block Screw Kit |
| 34 | 49026 | | 4" - 90° Elbow |
| 35 | W10085230 | | Label, Hinge Hole Cover |
| 36 | 8563747 | | Exhaust Pipe Medium Pipe |
| 37 | 8563750 | | Exhaust Pipe |
| 38 | 8563749 | | Exhaust Pipe |
| 39 | 3388674 | W10118756 | Idler Bracket |
| 40 | 8519459 | | Clip, Toe Panel |
| 41 | W10251210 | | Toe Panel |
| 42 | 3390647 | 488729 | Screw |
| 43 | 8565046 | | (BROKEN BELT BASE, CABINET SWITCH) |
| 44 | W10325339 | | Front Panel |
| 45 | 3390814 | 90767 | Screw, 8A X 3/8 HeX Washer Head Tapping |
| 47 | W10186596 | W10470674 | Dryer Exhaust Kit |

