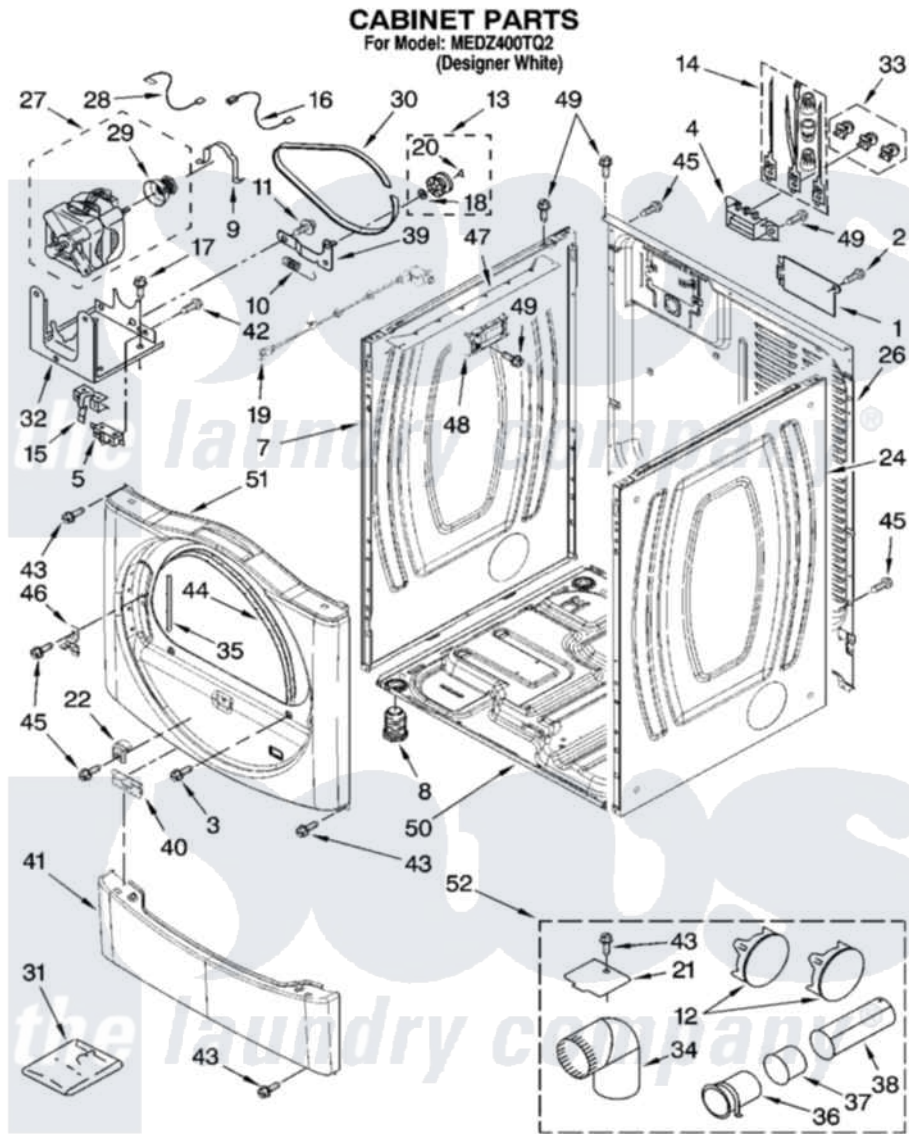


Maytag MEDZ400TQ2 02 - CABINET PARTS



W10179055

3

Maytag [Residential Maytag MEDZ400TQ2 Dryer Parts](#) Parts Diagram 02 - CABINET PARTS

[Click on the part number to view part](#)

Item	Original Part Number	Replaced By	Status	Part Description
1	8576583	W10119283		Cover, Terminal Block
2	8533974	4331106		Screw, No.10-32 X 7/16
3	3357011	308685		Side Trim)
4	3397659			Block, Terminal
5	3394881	279782		Switch-Lid
7	8565054			Panel, Side
8	3392100	49621		Feet-Leveling
"	279810			Foot-Optional
9	660658			Clamp, Motor Mounting 343481 685441
10	3387374			Spring, Idler
11	3389420			Retainer-Idler 1/4-20 X 1/16
12	697750	W10470674		Dryer Exhaust Kit
13	3388672	279640		Pulley-Idr
14	279318			Terminal Tinned And Brass Panel
15	8066120			Lever, Door Switch

16	3394081		Wire, Broken Belt Switch
17	343641	681414	Screw, 10AB X 1/2
18	233520		Washer, Thrust
19	8574875	W10318609	Switch, Assembly Door
20	W10121334		Washer, Thrust
21	8066115	3394331	Plate Cover
22	8565083		Ramp, Door
24	8565048		Panel, Side
26	8565059		Panel, Rear
27	8538263	279787	Motor-Drive
28	3398948		Wire, Jumper
29	8578220		Pulley, Motor
30	W10112954		Belt, Drive
31	8572546		Odor Remover
32	3387118		Bracket, Motor
33	279393		Terminal Block Screw Kit
34	49026		4" - 90° Elbow
35	8565043		Plug, Strip Front Panel
36	8563747		Exhaust Pipe Medium Pipe
37	8563750		Exhaust Pipe
38	8563749		Exhaust Pipe
39	3388674	W10118756	Idler Bracket
40	8519459		Clip, Toe Panel
41	8540621		Panel, Toe
42	98129		Screw, 6-20 X 1 1/16
43	3390647	488729	Screw
44	3387242		Seal, Front Panel
45	3393008	308685	Side Trim)
46	8565122		Strike, Door
47	8563727		Bracket, Control
48	W10132445		Control Board
49	90767		Screw, 8A X 3/8 HeX Washer Head Tapping
50	8565046		(BROKEN BELT BASE, CABINET SWITCH)
51	W10117421		Front Panel
"	BLANK	Not Available	OPTIONAL PARTS (NOT INCLUDED)
52	279818	W10470674	Dryer Exhaust Kit