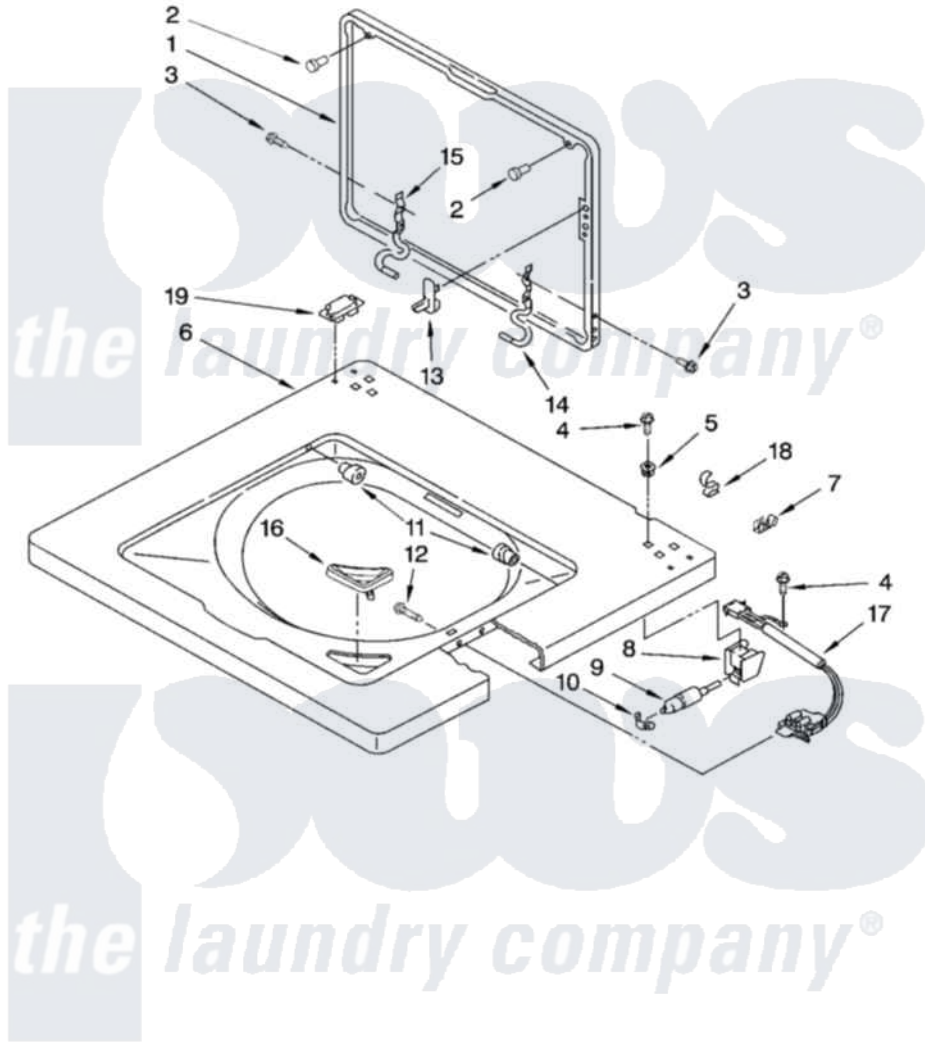


# Maytag MET3800TW0 06 - WASHER TOP AND LID PARTS

## WASHER TOP AND LID PARTS

For Models: MET3800TW0  
(Designer White)



IMPORTANT: All Part Numbers Listed Are Whirlpool Numbers. Source Parts Through Whirlpool.

W10128966

9

Maytag [Residential Maytag MET3800TW0 Washer/Dryer Parts](#) Parts Diagram 06 - WASHER TOP AND LID PARTS  
Click on the part number to view part

Item	Original Part Number	Replaced By	Status	Part Description
1	3351652	<a href="#">W10193874</a>		Lid
2	<a href="#">9724509</a>			Bumper, Lid
3	3351355	<a href="#">W10119828</a>		Screw, Lid Hinge Mounting
4	343641	<a href="#">681414</a>		Screw, 10AB X 1/2
5	<a href="#">692400</a>			Nut, Push-In
6	<a href="#">3349817</a>			Top, Console
7	357572	<a href="#">W10113937</a>		Clip, Grounding
8	<a href="#">3354020</a>			Bracket, Mounting
9	<a href="#">3350152</a>			Retainer, Lid Assembly
10	<a href="#">3350828</a>			Clip-Cylinder Retainer
11	<a href="#">21258</a>			Bearing, Lid Hinge
12	<a href="#">3356311</a>			Screw And Washer, Lid Switch Shield
13	<a href="#">358684</a>			Strike, Lid Switch
14	<a href="#">3350101</a>			Hinge, RH
15	<a href="#">3350102</a>			Hinge, L.H.
16	<a href="#">3362952</a>			Dispenser, Bleach

17 [3355458](#)

Switch, Lid

18 [90016](#)

Clip, Pressure Switch Hose

19 3390481

[W10134768](#)

Locator, Top

