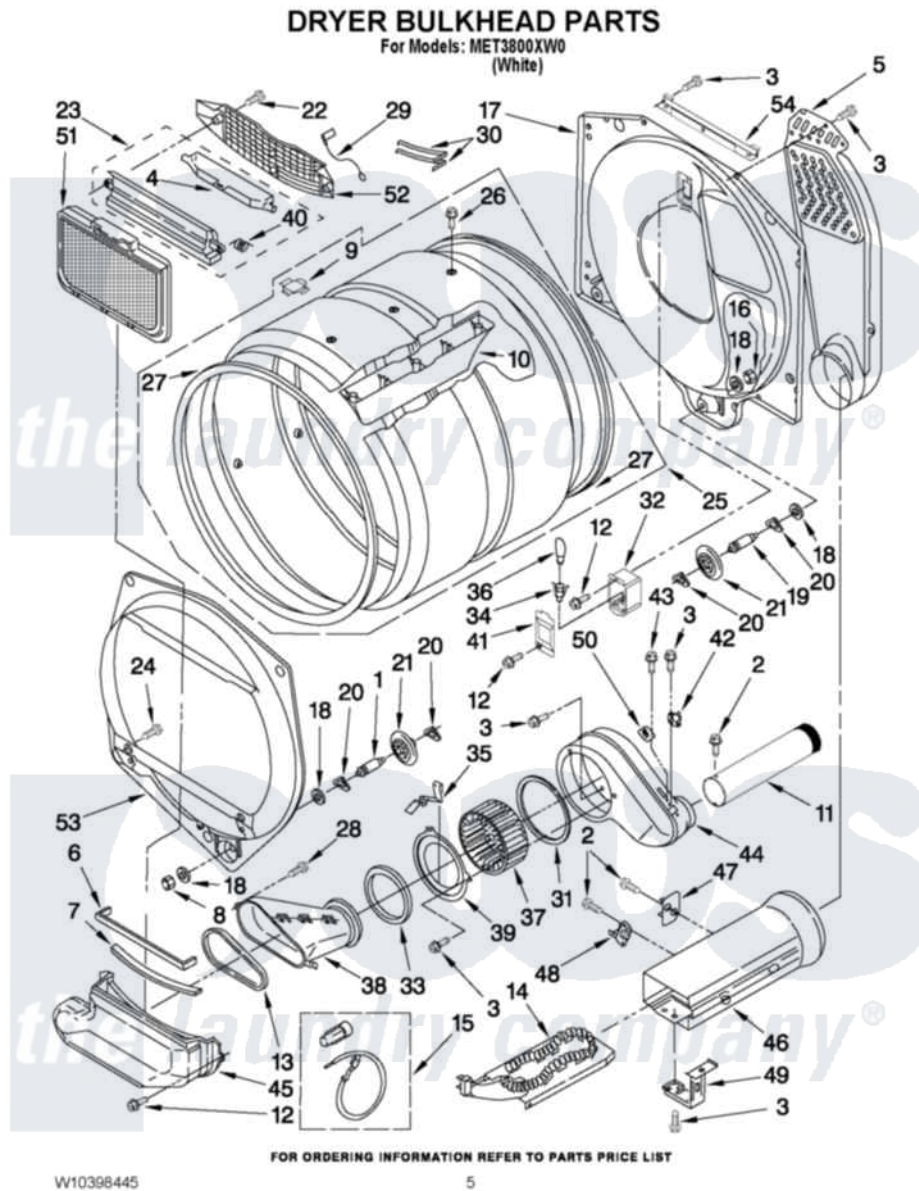


Maytag MET3800XW0 04 - DRYER BULKHEAD PARTS



Maytag [Residential Maytag MET3800XW0 Washer/Dryer Parts](#) Parts Diagram 04 - DRYER BULKHEAD PARTS
Click on the part number to view part

Item	Original Part Number	Replaced By	Status	Part Description
1	W10359271			Shaft, Drum Roller Threads
2	90767			Screw, 8A X 3/8 HeX Washer Head Tapping
3	343641	681414		Screw, 10AB X 1/2
4	3394984	8563758		Door, Lint Screen
5	697354	3387911		Duct-Air
6	697813			Seal, Outlet Housing
7	3391906			Seal, Lint Duct
8	3934666	W10080210		Nut, 3/8 X 16
9	8066086			Plug, Drum Hole
10	3389449	279982		Baffle-Drum
11	8563748	279823		Side Exhaust Extension Kit
12	3390647	488729		Screw
13	3391685	697770		Seal, Cover Plate Blower Housing
14	3387749			Element, Heater
15	279457			Wire Kit, Terminal

16	W10001120	W10080190	Nut, 3/8-16
17	8520836		Bulkhead, Rear
18	3387459	W10080960	Washer, Support
19	W10359272		Shaft, Roller Drum Threads
20	690997		Washer, Thrust
21	W10314171		Roller, Support Assembly
22	3357011	308685	Side Trim)
23	3394985	8563755	Housing, Outlet Assembly
24	695240	488729	Screw
25	3389448		Assembly, Drum
26	W10219342		Screw, Baffle Mounting
27	W10166807	280114	Seal
28	3387230		Screw, 10-16 X 13/16
29	3392258	3393840	Wire
30	3387223		Electrode, Sensor
31	697770		Seal, Cover Plate Blower Housing
32	3977373		Bracket, Drum Light
33	8566209		Seal, Transition Duct
34	W10136369		Socket, Drum Light Assembly
35	3390935		Clip, Duct Locator
36	3406124	22002263	Lamp
37	697772		Wheel, Blower
38	3389445	279704	Duct-Trans
39	697366	279780	Cover
40	3394986		Spring, Lint Screen Door
41	3402841	8532165	Lens, Drum Light
42	3387134		Thermostat, Internal-Bias
43	693995		Screw, Hex Head
44	8544363		Housing, Blower
45	3388909	279700	Duct-Lint
46	697715	3392537	Box, Heater
47	3977394	279769	Cutoff-Tml
48	3390291		Thermostat, High Limit 250F
49	3389647		Bracket, Heater Mounting
50	3403607		Thermal Limiter
51	3389644		Screen, Lint
52	8299979		Grill, Outlet Screen Door
53	697557		Bulkhead, Front
54	8571651	W10118337	Bracket-Bulkhead Upper Mounting