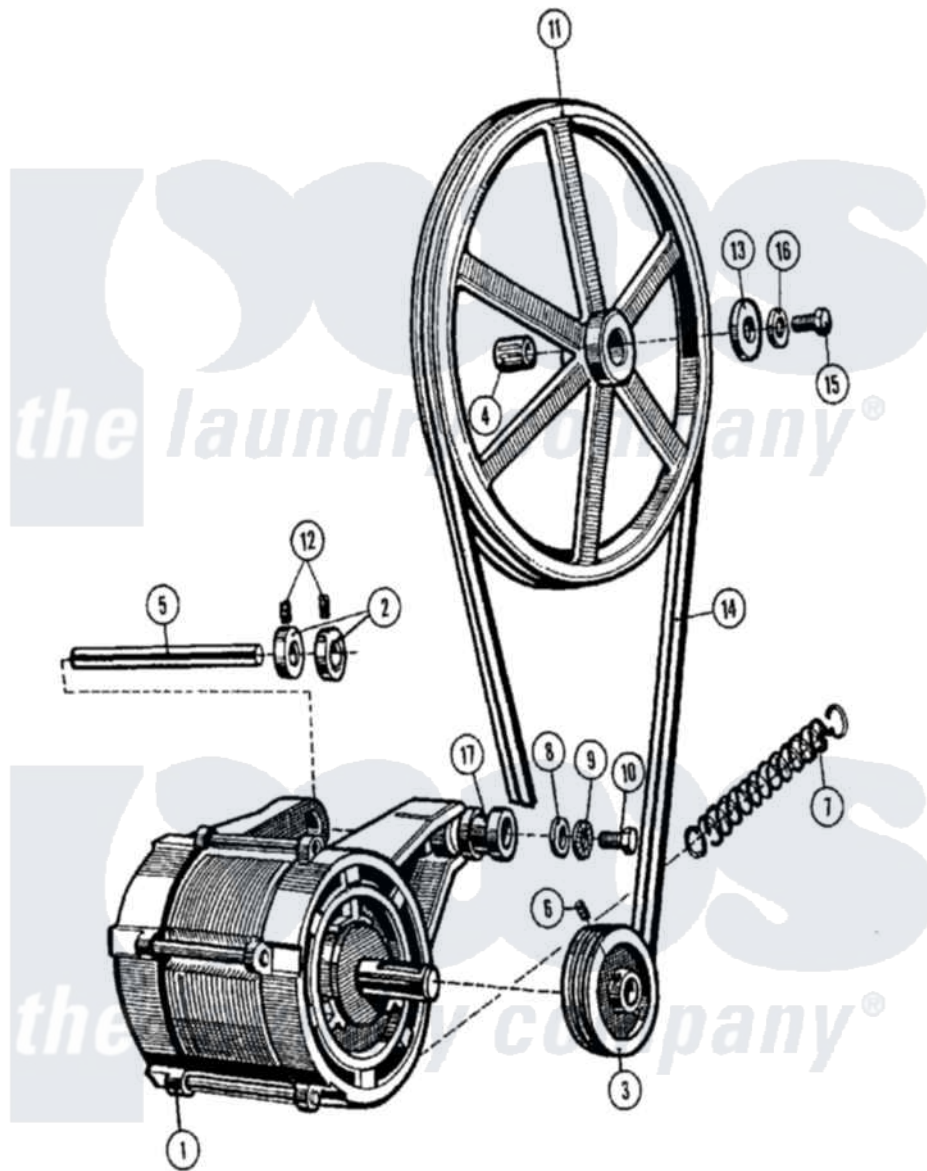


# Maytag MFR18MCAAS 11 - MOTOR & BASKET PULLEY (SERIES 10)



Maytag [Residential Maytag MFR18MCAAS Washer Parts](#) Parts Diagram 11 - MOTOR & BASKET PULLEY (SERIES 10)

[Click on the part number to view part](#)

Item	Original Part Number	Replaced By	Status	Part Description
001	<a href="#">23001403</a>			Motor
"	<a href="#">23001405</a>			Motor
002	<a href="#">23001408</a>			Collar, Retainer
003	<a href="#">23001409</a>			V-Pulley
004	<a href="#">23001410</a>			Ring, Tolerance
005	<a href="#">23001411</a>			Support Rod, Motor
006	<a href="#">23001289</a>			Screw, Allen Set
007	<a href="#">23001413</a>			Motor, Spring
008	NLA		Not Available	WASHER (10.5)
009	<a href="#">23001400</a>			Lock Washer, Spring
010	23001414	<a href="#">23001905</a>		Bolt M10x25
011	<a href="#">23001415</a>			Pulley, Basket
012	NLA		Not Available	SCREW, SET (M5 X 6)
013	<a href="#">23001282</a>			Washer
014	<a href="#">23001417</a>			V-Belt
015	<a href="#">23001418</a>			Bolt

