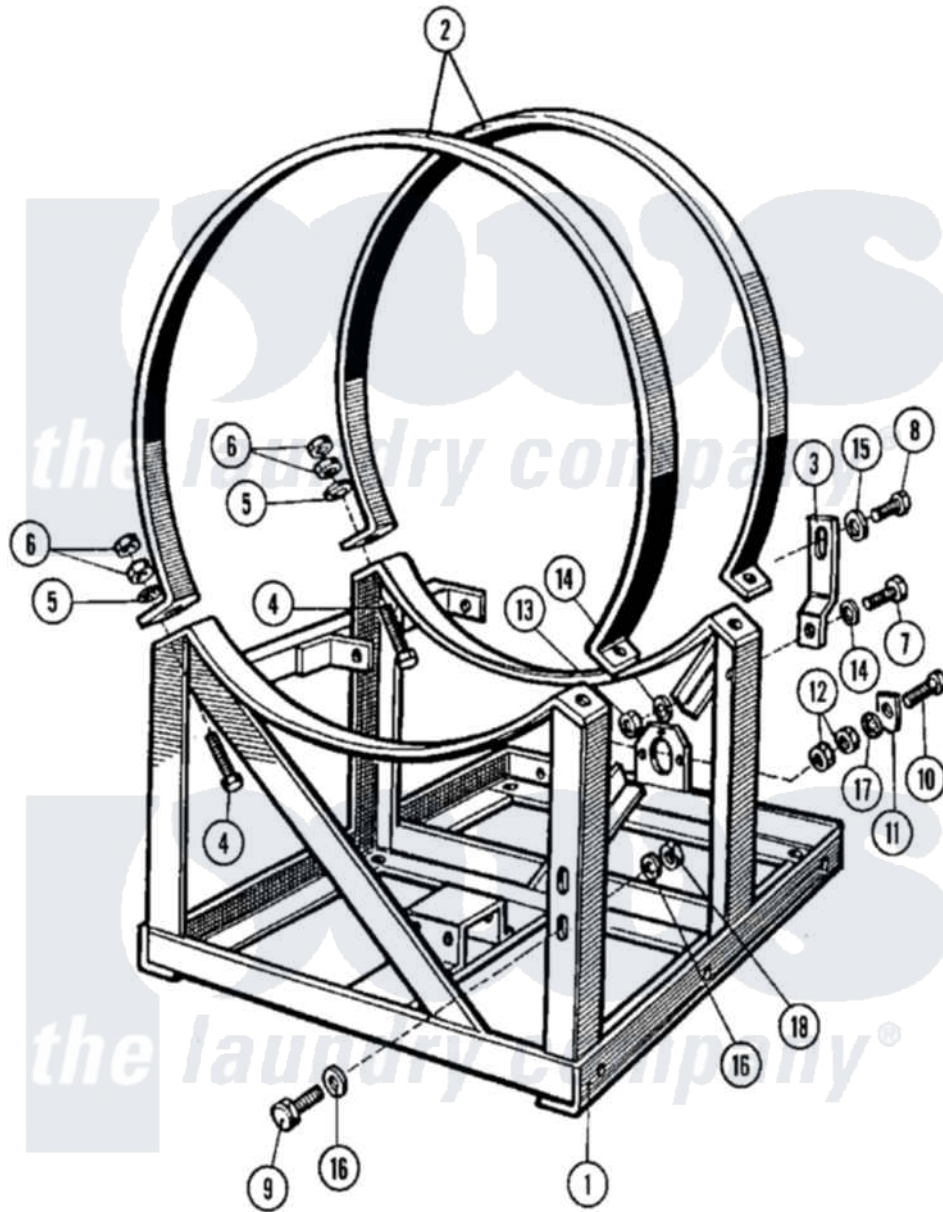


# Maytag MFR18MCAVS 12 - BASE FRAME (SERIES 10)



Maytag Residential Maytag MFR18MCAVS Washer Parts Parts Diagram 12 - BASE FRAME (SERIES 10)  
 Click on the part number to view part

| Item | Original Part Number     | Replaced By              | Status        | Part Description             |
|------|--------------------------|--------------------------|---------------|------------------------------|
| 001  | 23001421                 | <a href="#">23003763</a> |               | Frame                        |
| 002  | NLA                      |                          | Not Available | CLAMP, TUB                   |
| 003  | NLA                      |                          | Not Available | BRACE, TUB SUPPORT           |
| 004  | 23001425                 | <a href="#">23003285</a> |               | Bolt                         |
| 005  | <a href="#">23001400</a> |                          |               | Lock Washer, Spring          |
| 006  | 23001240                 | <a href="#">23001661</a> |               | Nut M10                      |
| 007  | 23001304                 | <a href="#">23003765</a> |               | Bolt M8x35                   |
| 008  | <a href="#">23001205</a> |                          |               | Bolt                         |
| 009  | 23001307                 | <a href="#">23002462</a> |               | Screw Lu                     |
| 010  | 23001311                 | <a href="#">23002806</a> |               | Screw                        |
| 011  | <a href="#">23001308</a> |                          |               | Hardware, Grounding          |
| 012  | <a href="#">23001312</a> |                          |               | Mut M6                       |
| 013  | <a href="#">23001266</a> |                          |               | Nut M8                       |
| 014  | <a href="#">23001265</a> |                          |               | Washer                       |
| 015  | NLA                      |                          | Not Available | WASHER (DIA. 30 X 8.5 X 2.5) |
| 016  | <a href="#">23001309</a> |                          |               | Washer Lu                    |

017 23001028

[23002756](#)

Lockwasher

018 [23001310](#)

Nut, Self Locking

019 23001313

[23003767](#)

Washer Brass

