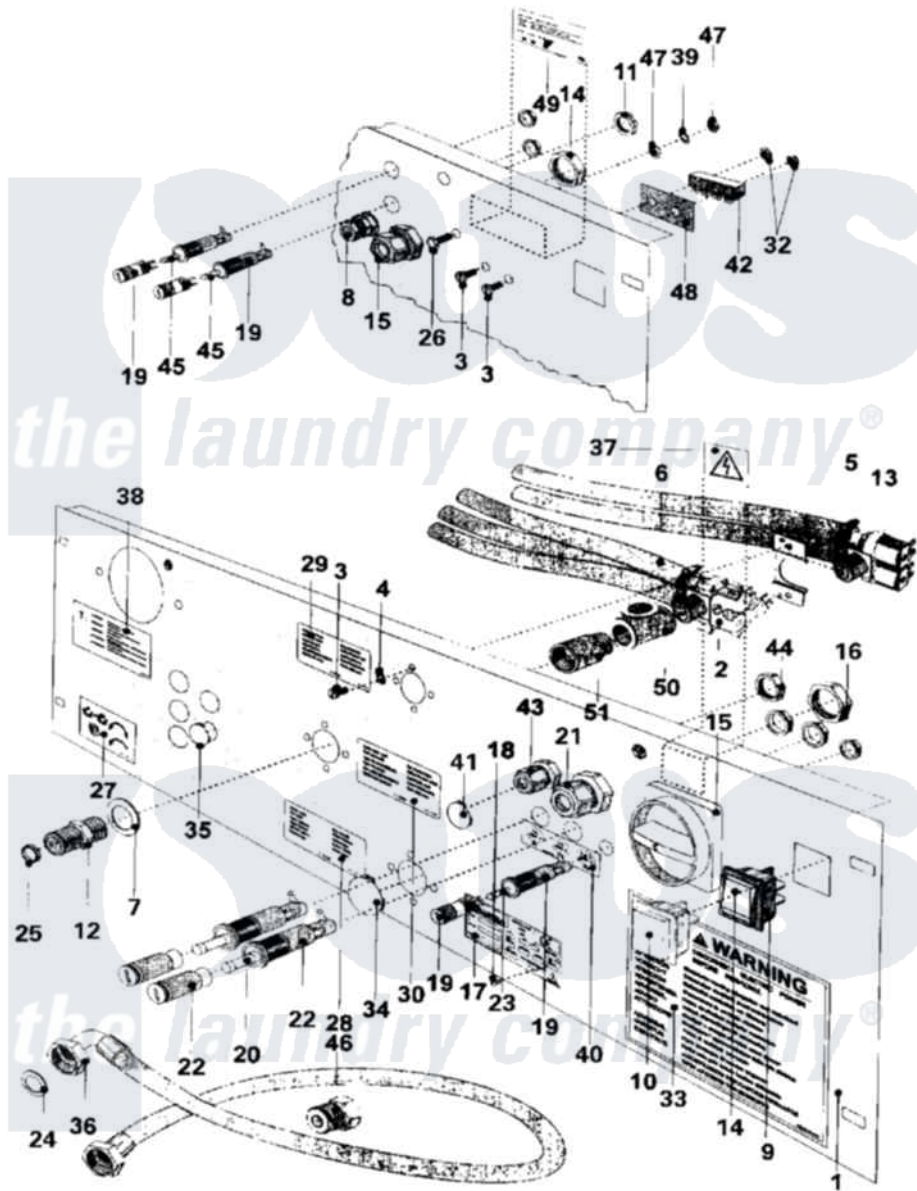


Maytag MFR25PCATS 18 - WATER VALVE & REAR PANEL (SERIES 11)



Maytag Residential Maytag MFR25PCATS Washer Parts Diagram 18 - WATER VALVE & REAR PANEL (SERIES 11)

Click on the part number to view part

Item	Original Part Number	Replaced By	Status	Part Description
001	23003320			Bridge, Rear
"	23003321			Bridge, Rear
002	23001533			Valve, Three-Way
"	23003322			Valve, Three-Way
003	23002423	23001361		Bolt
005	23001506	596669		Clamp, Manifold
006	23001507			Waterhose
008	23002196			Protector, Cable
009	23001529			Button
010	23001452			Square Plug
011	23002197			Med. Strain Relief Nut
013	23001455			Valve, Two Way
"	23001456			Valve, Two Way
017	23003323			Plate, ID
018	23001461			Rivets, Blind
019	23001462			Holder, Fuse

020	23002918	23001508	Fuse
024	23002921		Washer, Fill Hose
028	NLA	Not Available	PLATE, INDEX (HOT WATER)
029	NLA	Not Available	PLATE, INDEX (COLD HARD WATER)
030	NLA	Not Available	PLATE, INDEX (COLD SOFT WATER)
031	23001509		Sticker, Pipe Thread
034	23001476		Plug, Water Inlet
035	NLA	Not Available	PLUG (13)
036	23001486		Hose, Connection
"	23001523		North American, Hose
042	23001113		Housing, Connector
043	23002196		Protector, Cable
044	23002197		Med. Strain Relief Nut
045	23002918	23001508	Fuse
046	23001477		Adapter
047	23001312		Mut M6
048	23001115		Terminal Block Insulation
049	NLA	Not Available	LABEL, TERMINAL
050	23001485		Tee, 3/4" Pipe Thread
051	23001484		Extension, Brass Pipe Thread
052	23001482		Connection
053	23001483		Washer
054	23001532		Cover, Button
055	23001731	23003502	Switch, Main
"	23002914		Switch, Main
"	23002915	23003501	Switch, Main
"	23002916		Switch, Main
056	23002212		Bushing Nut
057	NLA	Not Available	SWIVEL
058	23002210		Holder, Fuse
059	23002919		Fuse 0.5A 250V
060	23002921		Washer, Fill Hose
061	23002922		Filter Screen
062	23003326	23002861	Screw Lu
063	23001158		Lockwasher
064	23001055	23001014	Nut M4
065	NLA	Not Available	LABEL (ELEC. WARNING)
066	23002920		Plate, Index
067	23002053		Label, Warning Vent Out
068	23001468		Sticker, Spin Direction
069	23003328		Fuse Label 1A/500V
"	NLA	Not Available	STICKER (1A)
070	23002243		Plug, Universal