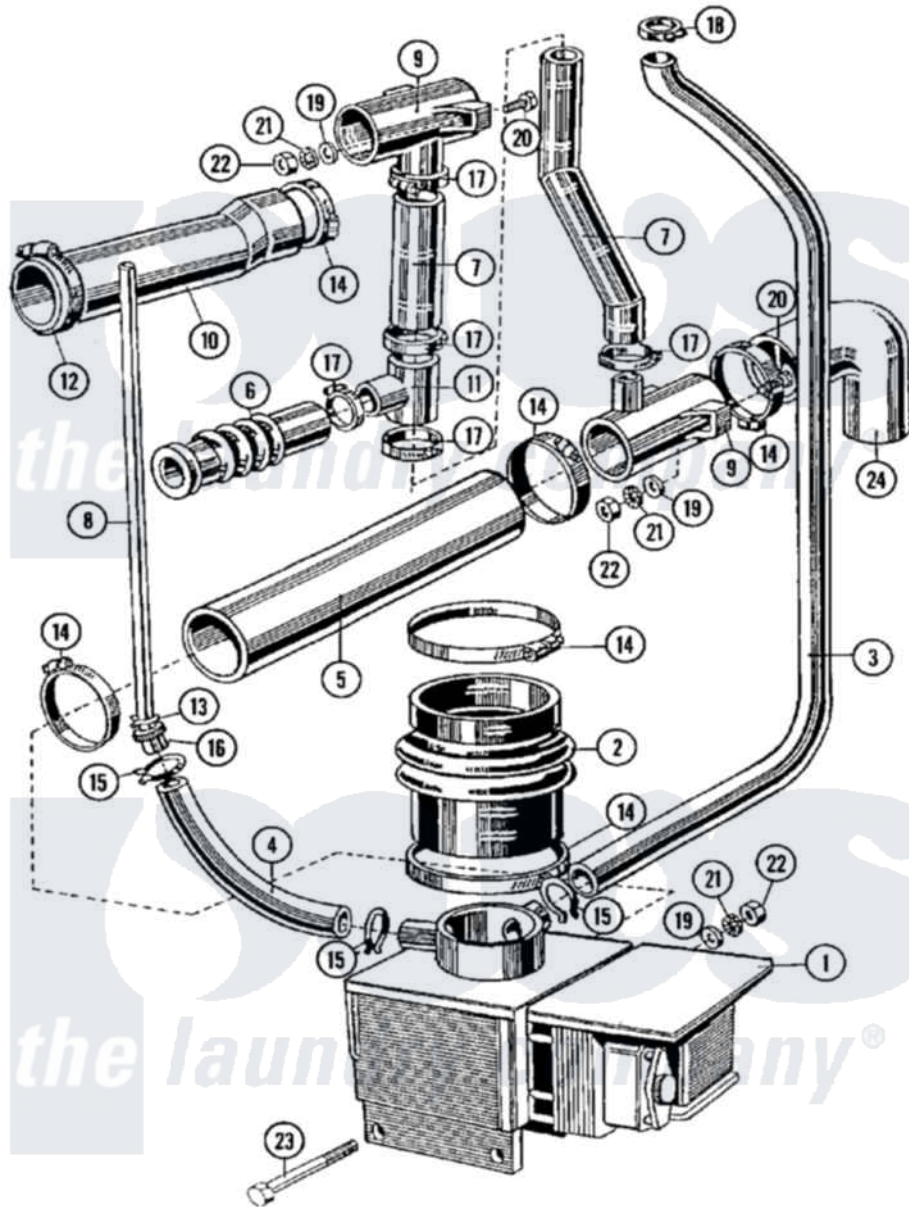


# Maytag MFR35PCATS 10 - DRAIN & HOSE ASSEMBLY



Maytag [Residential Maytag MFR35PCATS Washer Parts](#) Parts Diagram 10 - DRAIN & HOSE ASSEMBLY  
 Click on the part number to view part

Item	Original Part Number	Replaced By	Status	Part Description
001	<a href="#">23001244</a>			Valve, Drain
"	<a href="#">23002321</a>			Motor, Drain
002	<a href="#">23001245</a>			Tub To Drain Hose
003	<a href="#">23001246</a>			Lower Pressure Switch Hose
004	<a href="#">23001247</a>			Hose, Air Dome
005	<a href="#">23001249</a>			Drain Valve Outlet Hose
006	<a href="#">23001250</a>			Corrugated Vent Hose
007	<a href="#">23001251</a>			Lower Overflow Hose
008	<a href="#">23001252</a>			Upper Pressure Switch Hose
009	<a href="#">23001253</a>			Tee, Drain
010	23001254	<a href="#">23004241</a>		Hopper To T-Hose
011	<a href="#">23001255</a>			Tee, Overflow Hose
012	23001256	<a href="#">34001289</a>		Clamp, Hose
013	23001257	<a href="#">596669</a>		Clamp, Manifold
014	23001258	<a href="#">696392</a>		Hose Clamp
015	<a href="#">23001259</a>			Clamp, Corbin

016	<a href="#">23001260</a>		Pressure Switch Hose Fitting
017	23001261	<a href="#">616099</a>	Clamp
018	23001262	<a href="#">616099</a>	Clamp
019	<a href="#">23001263</a>		Washer
020	<a href="#">23001264</a>		Bolt M8x20
021	<a href="#">23001265</a>		Washer
022	<a href="#">23001266</a>		Nut M8
023	23001267	<a href="#">23002908</a>	Screw
024	23001268	<a href="#">23002015</a>	Elbow

