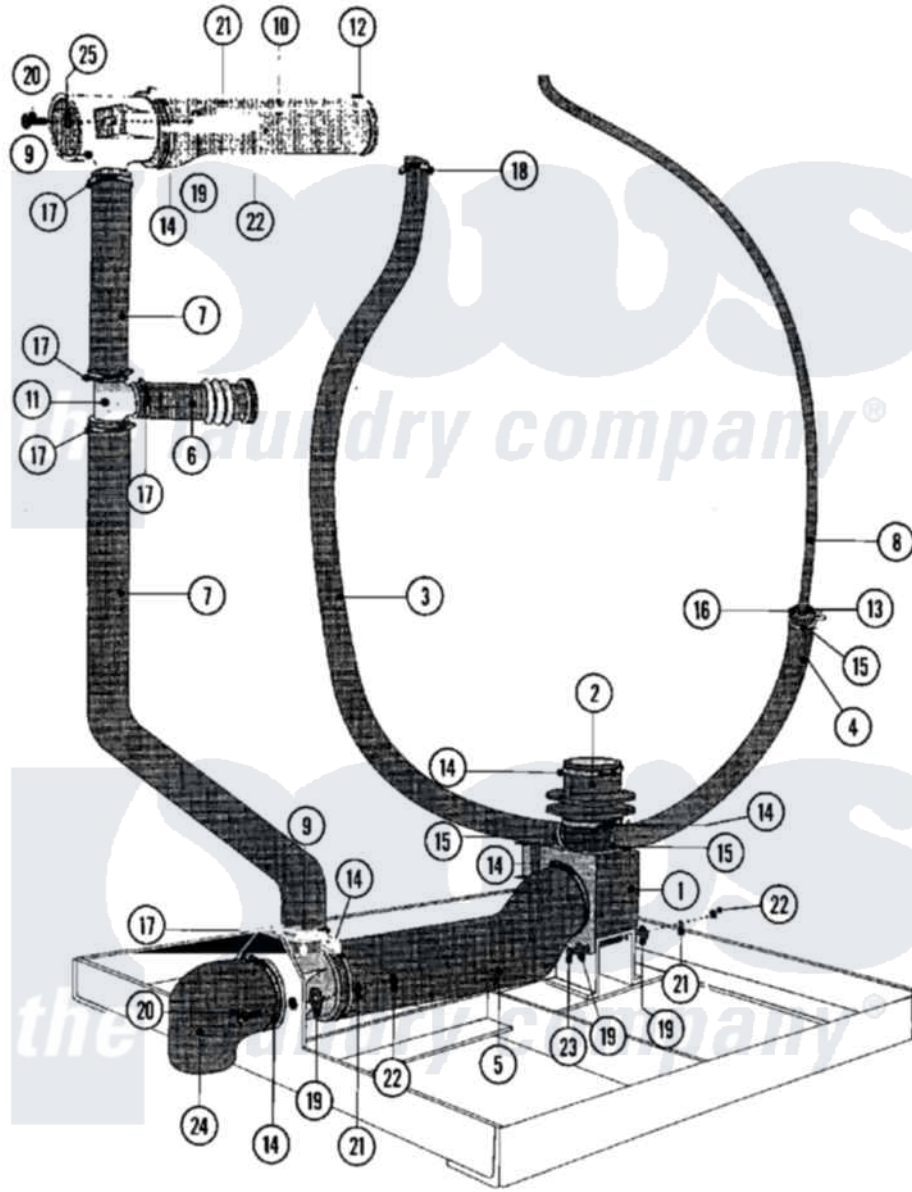


# Maytag MFR35PCATS 20 - DRAIN & HOSE ASSEMBLY (SERIES 11)



Maytag [Residential Maytag MFR35PCATS Washer Parts](#) Parts Diagram 20 - DRAIN & HOSE ASSEMBLY (SERIES 11)

[Click on the part number to view part](#)

Item	Original Part Number	Replaced By	Status	Part Description
001	<a href="#">23001244</a>			Valve, Drain
002	23002907	<a href="#">23001245</a>		Tube To Drain Hose
003	<a href="#">23001246</a>			Lower Pressure Switch Hose
004	<a href="#">23001247</a>			Hose, Air Dome
005	<a href="#">23001249</a>			Drain Valve Outlet Hose
006	<a href="#">23001250</a>			Corrugated Vent Hose
007	<a href="#">23001251</a>			Lower Overflow Hose
008	<a href="#">23001252</a>			Upper Pressure Switch Hose
009	<a href="#">23001253</a>			Tee, Drain
010	23001254	<a href="#">23004241</a>		Hopper To T-Hose
011	<a href="#">23001255</a>			Tee, Overflow Hose
012	23001256	<a href="#">34001289</a>		Clamp, Hose
013	23001257	<a href="#">596669</a>		Clamp, Manifold
014	23001258	<a href="#">696392</a>		Hose Clamp
015	<a href="#">23001259</a>			Clamp, Corbin
016	<a href="#">23001260</a>			Pressure Switch Hose Fitting

017	23001261	<a href="#">616099</a>	Clamp
018	23001262	<a href="#">616099</a>	Clamp
019	<a href="#">23002437</a>		Washer M8
020	23002475	<a href="#">23001264</a>	Bolt M8x20
021	23002358		LOCK WASHER M8
022	23002435	<a href="#">23001266</a>	Nut M8
023	<a href="#">23002908</a>		Screw
024	23002822	<a href="#">23002015</a>	Elbow
025	23002653	<a href="#">23001203</a>	Washer

