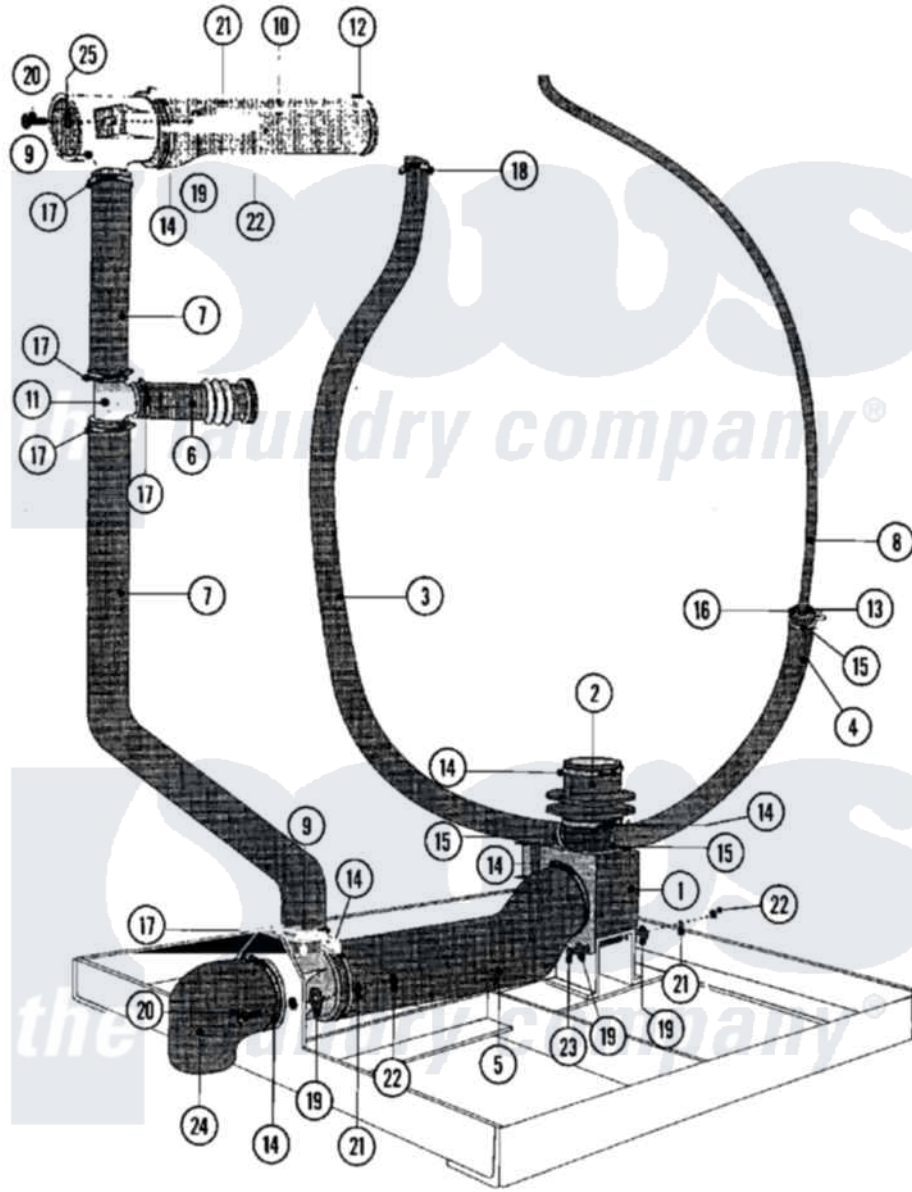


Maytag MFR35PNAVS 16 - DRAIN & HOSE ASSEMBLY (SERIES 11)



Maytag [Residential Maytag MFR35PNAVS Washer Parts](#) Parts Diagram 16 - DRAIN & HOSE ASSEMBLY (SERIES 11)

[Click on the part number to view part](#)

| Item | Original Part Number | Replaced By | Status | Part Description |
|------|--------------------------|--------------------------|--------|------------------------------|
| 001 | 23001244 | | | Valve, Drain |
| 002 | 23002907 | 23001245 | | Tube To Drain Hose |
| 003 | 23001246 | | | Lower Pressure Switch Hose |
| 004 | 23001247 | | | Hose, Air Dome |
| 005 | 23001249 | | | Drain Valve Outlet Hose |
| 006 | 23001250 | | | Corrugated Vent Hose |
| 007 | 23001251 | | | Lower Overflow Hose |
| 008 | 23001252 | | | Upper Pressure Switch Hose |
| 009 | 23001253 | | | Tee, Drain |
| 010 | 23001254 | 23004241 | | Hopper To T-Hose |
| 011 | 23001255 | | | Tee, Overflow Hose |
| 012 | 23001256 | 34001289 | | Clamp, Hose |
| 013 | 23001257 | 596669 | | Clamp, Manifold |
| 014 | 23001258 | 696392 | | Hose Clamp |
| 015 | 23001259 | | | Clamp, Corbin |
| 016 | 23001260 | | | Pressure Switch Hose Fitting |

| | | | |
|-----|--------------------------|--------------------------|----------------|
| 017 | 23001261 | 616099 | Clamp |
| 018 | 23001262 | 616099 | Clamp |
| 019 | 23002437 | | Washer M8 |
| 020 | 23002475 | 23001264 | Bolt M8x20 |
| 021 | 23002358 | | LOCK WASHER M8 |
| 022 | 23002435 | 23001266 | Nut M8 |
| 023 | 23002908 | | Screw |
| 024 | 23002822 | 23002015 | Elbow |
| 025 | 23002653 | 23001203 | Washer |

