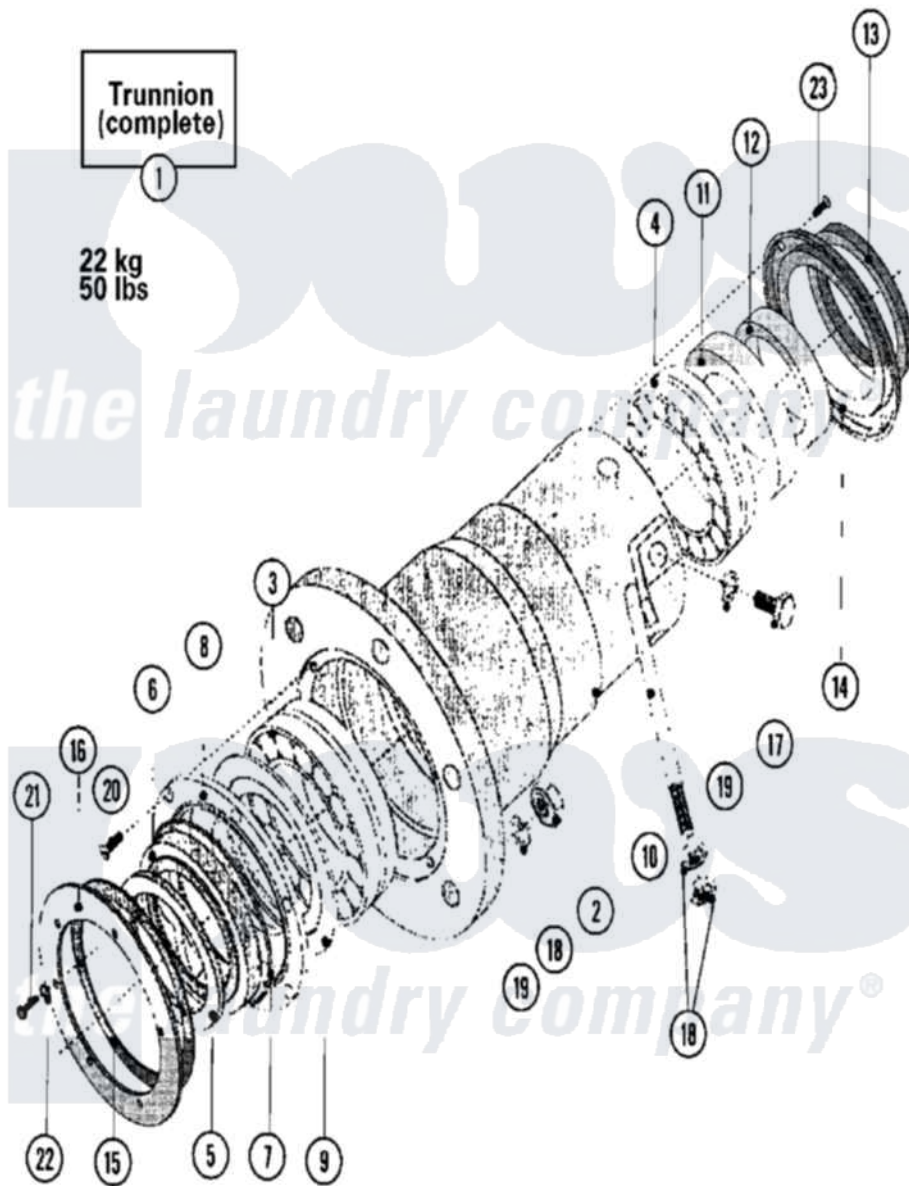


Maytag MFR50PNAVS 23 - BEARINGS & TRUNNION ASSEMBLY (SERIES 11)



Maytag Residential Maytag MFR50PNAVS Washer Parts Parts Diagram 23 - BEARINGS & TRUNNION ASSEMBLY (SERIES 11)

Click on the part number to view part

Item	Original Part Number	Replaced By	Status	Part Description
001	23002972			Trunnion
002	23001209			Trunnion
"	23003981			Bearing Housing Stud 14mm
003	23001210			Bearing, Front
004	23001211			Bearing, Rear
005	23001212			Shaft, Ring
006	23001213			Ring, Axial Joint
007	23001214	23003214		Ring, O
008	23001215			Holder, Water Seal
009	23001216			Bearing, Shield
010	23002973			Rod, Tension
011	23002974			Ring, Distance
012	23001219			Bushing, Brass
013	23001220			Seal, Axial
014	23001221			Seal, Axial Holder

015	23001222	Gasket, Rubber	
016	23001223	Ring, Clamp	
017	23002975	23001224	Bolt
018	23002976	23001014	Nut M4
019	23002792	Washer	
020	23001227	Screw	
021	23002353	23001157	Bolt
022	23001228	Ring, Seal	
023	23002977	23001229	Screw

