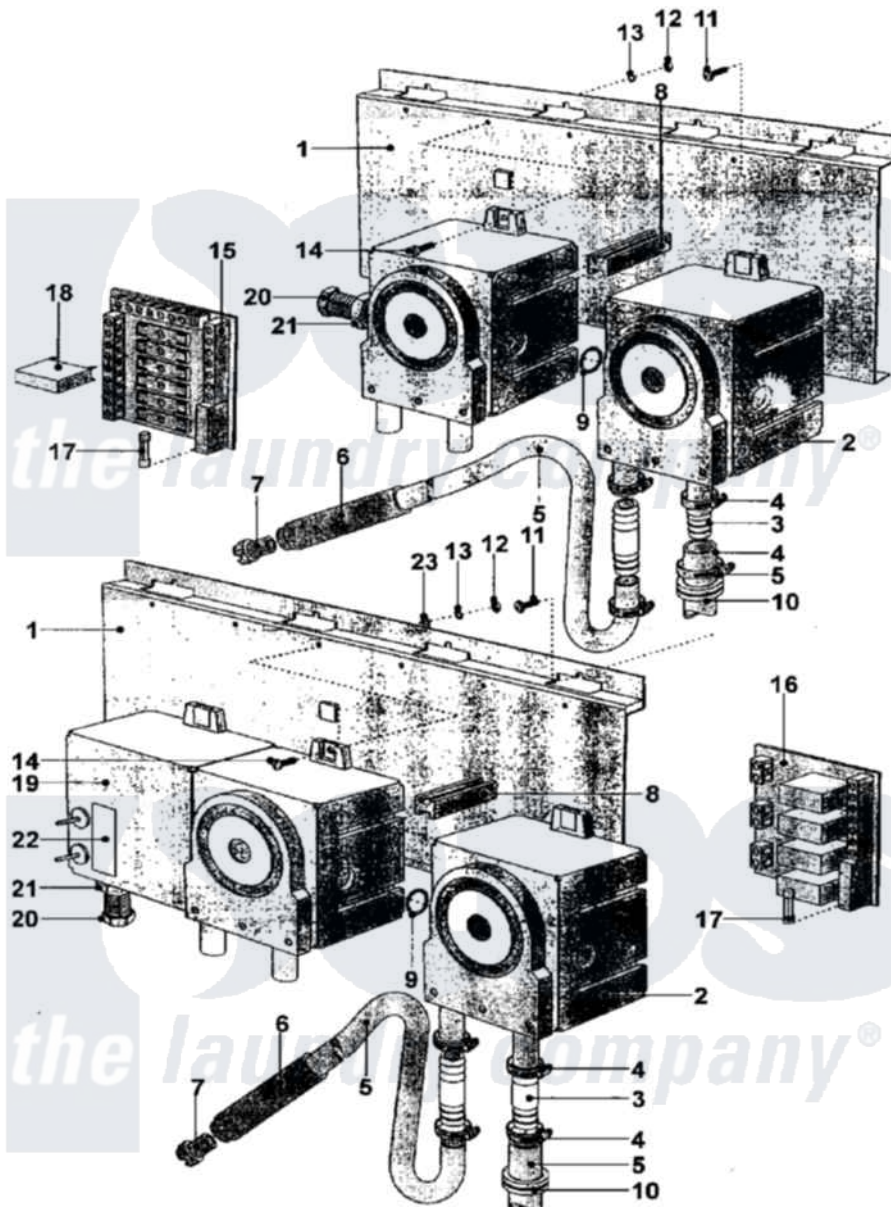


# Maytag MFS125PAVS 19 - PUMP BOARD



Maytag [Residential Maytag MFS125PAVS Washer Parts](#) Parts Diagram 19 - PUMP BOARD  
 Click on the part number to view part

| Item | Original Part Number     | Replaced By             | Status        | Part Description           |
|------|--------------------------|-------------------------|---------------|----------------------------|
| 001  | <a href="#">23002827</a> |                         |               | Bracket, Pump              |
| 002  | <a href="#">23001730</a> |                         |               | Pump, Soap                 |
| 003  | <a href="#">23002828</a> |                         |               | Connector                  |
| 004  | NLA                      |                         | Not Available | CLAMP (10-16/7.5)          |
| 005  | <a href="#">23002193</a> |                         |               | Small Chemical Hose D10/14 |
| 006  | <a href="#">23002830</a> |                         |               | Tube                       |
| 007  | <a href="#">23002831</a> |                         |               | Adapter                    |
| 008  | NLA                      |                         | Not Available | WEDGE                      |
| 009  | NLA                      |                         | Not Available | O-RING                     |
| 010  | NLA                      |                         | Not Available | PASSAGE, CABLE (13 X 2)    |
| 011  | NLA                      |                         | Not Available | SCREW (M6X10)              |
| 012  | 23002466                 | <a href="#">8184504</a> |               | Nut                        |
| 013  | <a href="#">23002836</a> |                         |               | Washer                     |
| 014  | NLA                      |                         | Not Available | SCREW (M5X12)              |
| 015  | <a href="#">23002320</a> |                         |               | Board, Auxillary Relay     |
| 017  | <a href="#">23002838</a> |                         |               | Fuse                       |

018 [23002839](#)  
020 [23002196](#)  
021 [23002197](#)

Relay  
Protector, Cable  
Med. Strain Relief Nut

