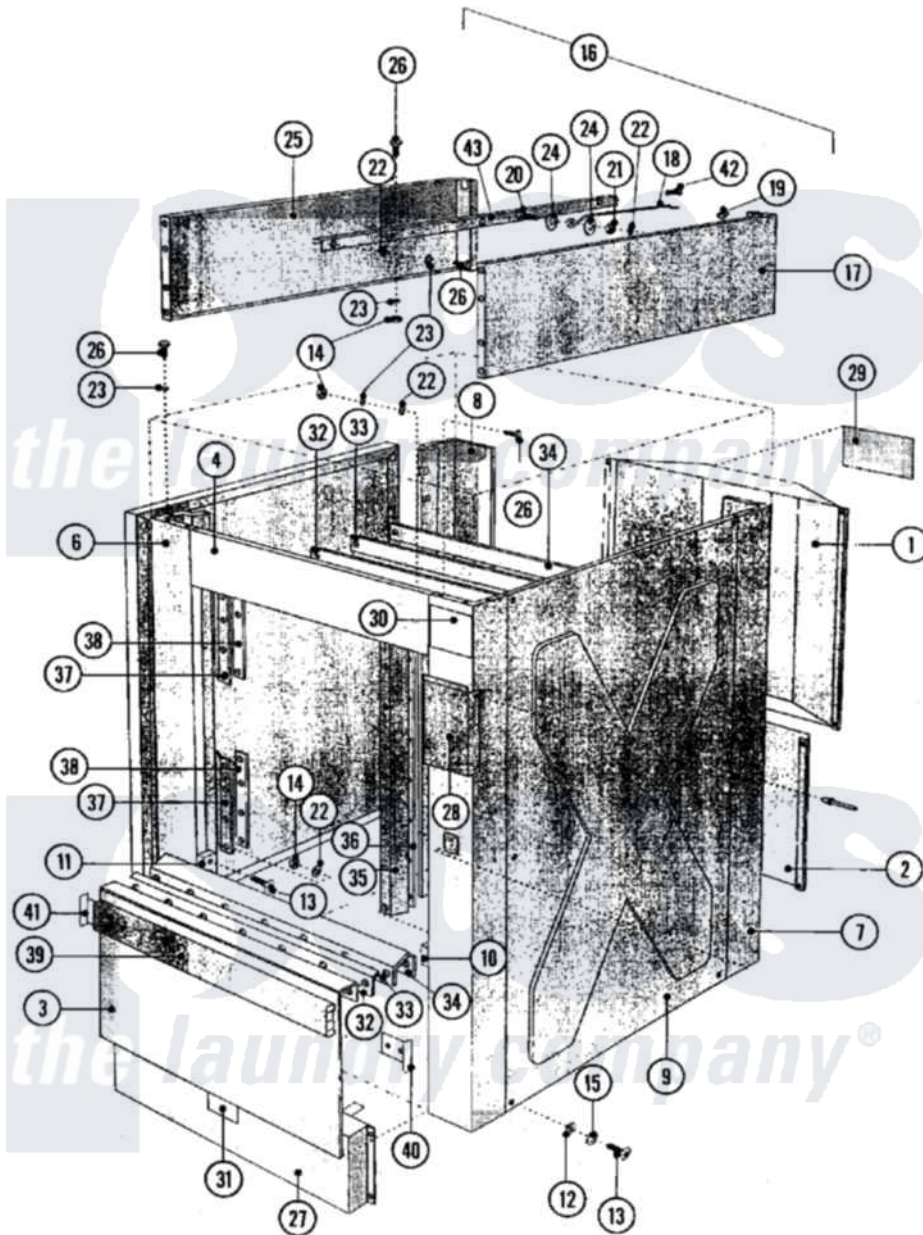


# Maytag MFS50PNAVS 02 - CABINET



Maytag Residential Maytag MFS50PNAVS Washer Parts Parts Diagram 02 - CABINET  
 Click on the part number to view part

Item	Original Part Number	Replaced By	Status	Part Description
001	<a href="#">23002997</a>			Cover, Upper
002	<a href="#">23002998</a>			Cover, Rear
"	<a href="#">23002999</a>			Cover, Rear
003	<a href="#">23003000</a>			Cover, Front
004	<a href="#">23003001</a>			Cover, Front
005	<a href="#">23003002</a>			Cover, Corner
006	<a href="#">23003003</a>			Cover, Corner
007	<a href="#">23003004</a>			Cover, Corner
008	<a href="#">23003005</a>			Cover, Corner
009	<a href="#">23003006</a>			Cover, Side
010	<a href="#">23003007</a>			Support, Plastic
011	<a href="#">23003008</a>			Support, Plastic
012	<a href="#">23002458</a>			Washer
013	<a href="#">23002375</a>			Screw
014	23002436		Not Available	NUT (M6)
015	23001337	<a href="#">23002457</a>		Washer M6

016	<a href="#">23003010</a>		Cover
017	<a href="#">23003011</a>		Cover
018	<a href="#">23001330</a>		Rod, Top Panel Support
019	NLA	Not Available	HOOK, STICK
020	<a href="#">23002463</a>		Screw
021	23002471	<a href="#">23001310</a>	Nut, Self Locking
022	23002282	<a href="#">23001027</a>	Washer
023	23002357	<a href="#">23002440</a>	Washer, Spring Lock
024	<a href="#">23003012</a>		Washer Lu
025	NLA	Not Available	COVER
026	23002354	<a href="#">23002461</a>	Screw
027	NLA	Not Available	COVER, HEATING UNIT
028	NLA	Not Available	POCKET
029	<a href="#">23001550</a>		Sticker, Service Warning
030	23002190	Not Available	LABEL, ENGLISH
"	NLA	Not Available	LABEL, NOTICE
031	NLA	Not Available	LABEL, FLASH
032	NLA	Not Available	BAR
033	NLA	Not Available	STRIP, PREVENTING
034	NLA	Not Available	STRIP
035	NLA	Not Available	STRIP, PREVENTING
036	<a href="#">23003028</a>		Strip
037	NLA	Not Available	STRIP, PREVENTING
038	NLA	Not Available	STRIP
039	<a href="#">23002411</a>		Profile
040	<a href="#">23002410</a>		Bar, Side
041	<a href="#">23002409</a>		Bar, Inside
042	<a href="#">23002861</a>		Screw Lu
043	NLA	Not Available	HOLDER (COMPLETE)

