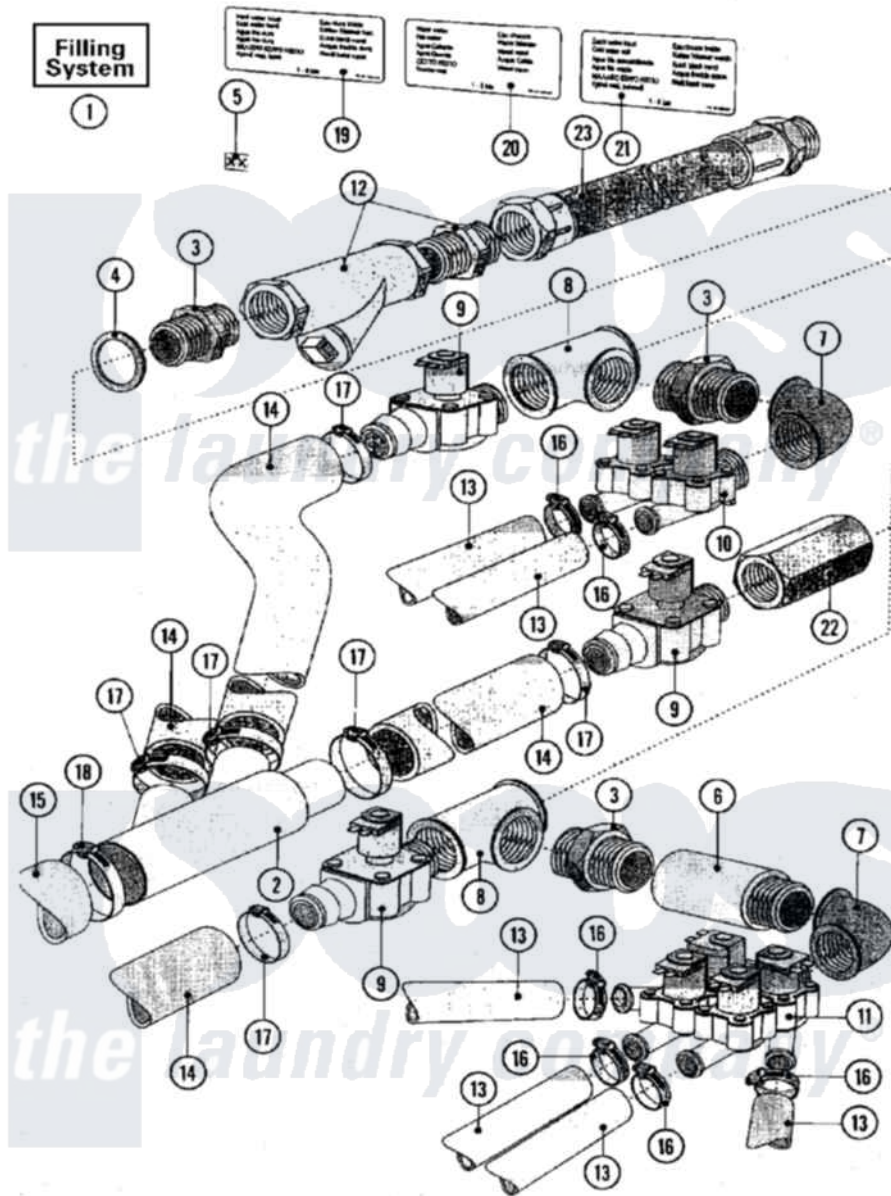


Maytag MFS50PNAVS 14 - SOAP INJECTION & ACCESSORIES



Maytag [Residential Maytag MFS50PNAVS Washer Parts](#) Parts Diagram 14 - SOAP INJECTION & ACCESSORIES
 Click on the part number to view part

Item	Original Part Number	Replaced By	Status	Part Description
001	23003162			System, Filling
002	23003163			Tube, Connection
003	23001482			Connection
004	NLA		Not Available	WASHER
005	NLA		Not Available	PLATE, INDEX
006	23001484			Extension, Brass Pipe Thread
007	23001756			Elbow
008	23001485			Tee, 3/4" Pipe Thread
009	23002071			Valve, Inlet
010	23002070			Valve, Inlet
011	23001755			Valve, Inlet
"	24001121			Kit, Valve Repair
012	23003166			Filter
013	23001507			Waterhose
014	23001740			Hose
015	23002755			Hose

016	23001506	596669	Clamp, Manifold
017	23001262	616099	Clamp
018	23001261	616099	Clamp
019	23001471		Sticker, Cold Soft Water
020	23001469		Sticker, Hot Water
021	NLA	Not Available	STICKER, COLD HARD WATER
022	NLA	Not Available	ONTUBE
023	23001523		North American, Hose

