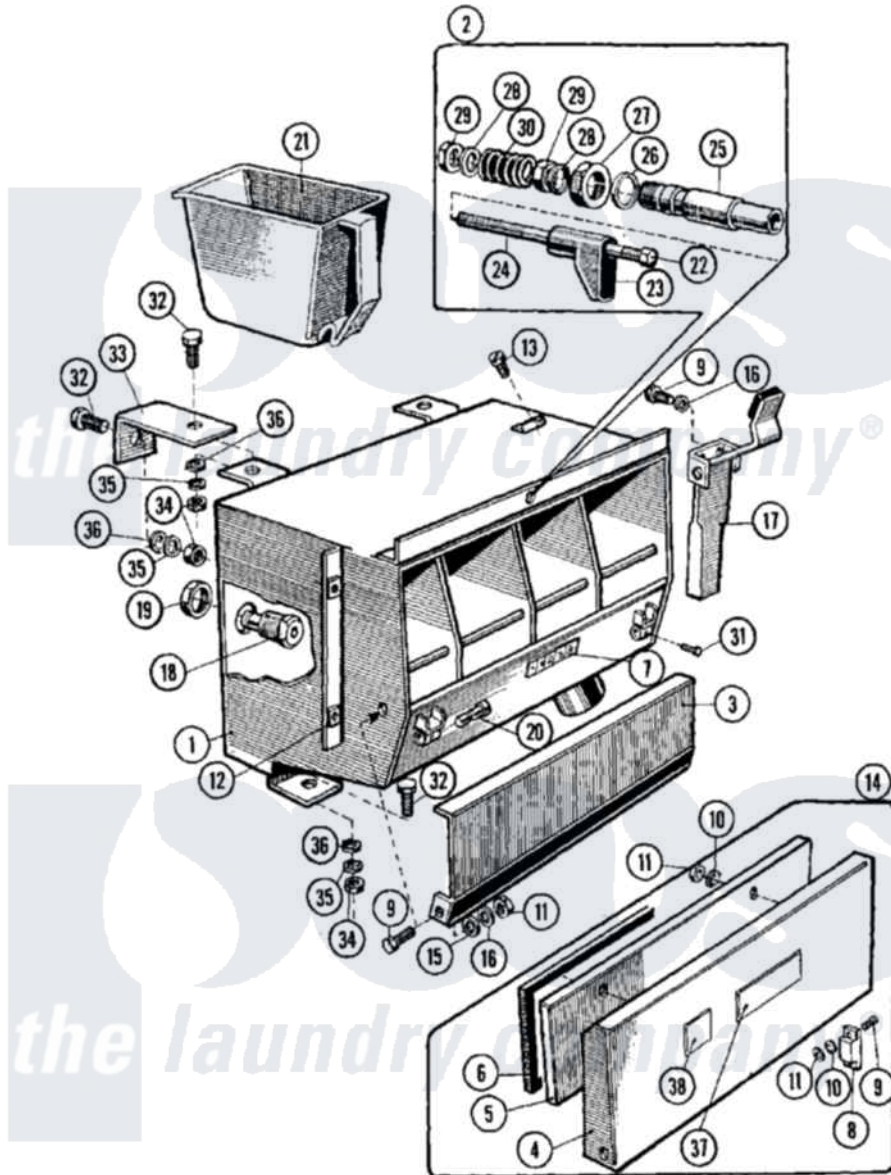


# Maytag MFX50PNAVS 09 - SOAP BOX ASSEMBLY



Maytag Residential Maytag MFX50PNAVS Washer Parts Parts Diagram 09 - SOAP BOX ASSEMBLY  
 Click on the part number to view part

Item	Original Part Number	Replaced By	Status	Part Description
001	<a href="#">Y23002289</a>			Soap Box Assembly
002	<a href="#">23001665</a>			Lock, Soap Box
003	<a href="#">Y23002290</a>			Cover
004	<a href="#">23002291</a>			Door, Soap Box
005	<a href="#">23002292</a>			Insert, Door
006	<a href="#">23001666</a>			Seal Lu
007	23001667			LABEL, SOAP BOX
008	<a href="#">23001668</a>			Contact, Magnetic
009	<a href="#">23001669</a>			Screw
010	<a href="#">23001670</a>			Washer
011	<a href="#">23001014</a>			Nut M4
012	23001339	<a href="#">23002455</a>		Nut, Rapid
013	<a href="#">23001070</a>			Screw
014	<a href="#">23002293</a>			Door, Soap Box
015	<a href="#">23001056</a>			Ring, Shaft Locking
016	23001636	<a href="#">23002674</a>		Spring, Lock Washer

017	<a href="#">23001673</a>		Level, Soap Box
018	<a href="#">23001674</a>		Injector
019	<a href="#">23001675</a>		Nut
020	23001676	<a href="#">23002736</a>	Pin, Door
021	23002294	<a href="#">23002135</a>	Cup, Soap Box
022	<a href="#">23001677</a>		Nut
023	<a href="#">23001678</a>		Bolt, Handle
024	<a href="#">23001679</a>		Bolt
025	<a href="#">23001680</a>		Shaft, Handle
026	<a href="#">23001419</a>		Lockwasher
027	<a href="#">23001303</a>		Nut
028	<a href="#">23001309</a>		Washer Lu
029	<a href="#">23001310</a>		Nut, Self Locking
030	<a href="#">23001681</a>		Spring
031	<a href="#">23001682</a>		Screw
032	<a href="#">23001305</a>		Bolt M8x25
033	<a href="#">23002295</a>		Holder
034	<a href="#">23001266</a>		Nut M8
035	<a href="#">23001265</a>		Washer
036	<a href="#">23001263</a>		Washer
037	23002296		LABEL, DO NOT OPEN
038	23002297		LABEL, HEATWARNING

