

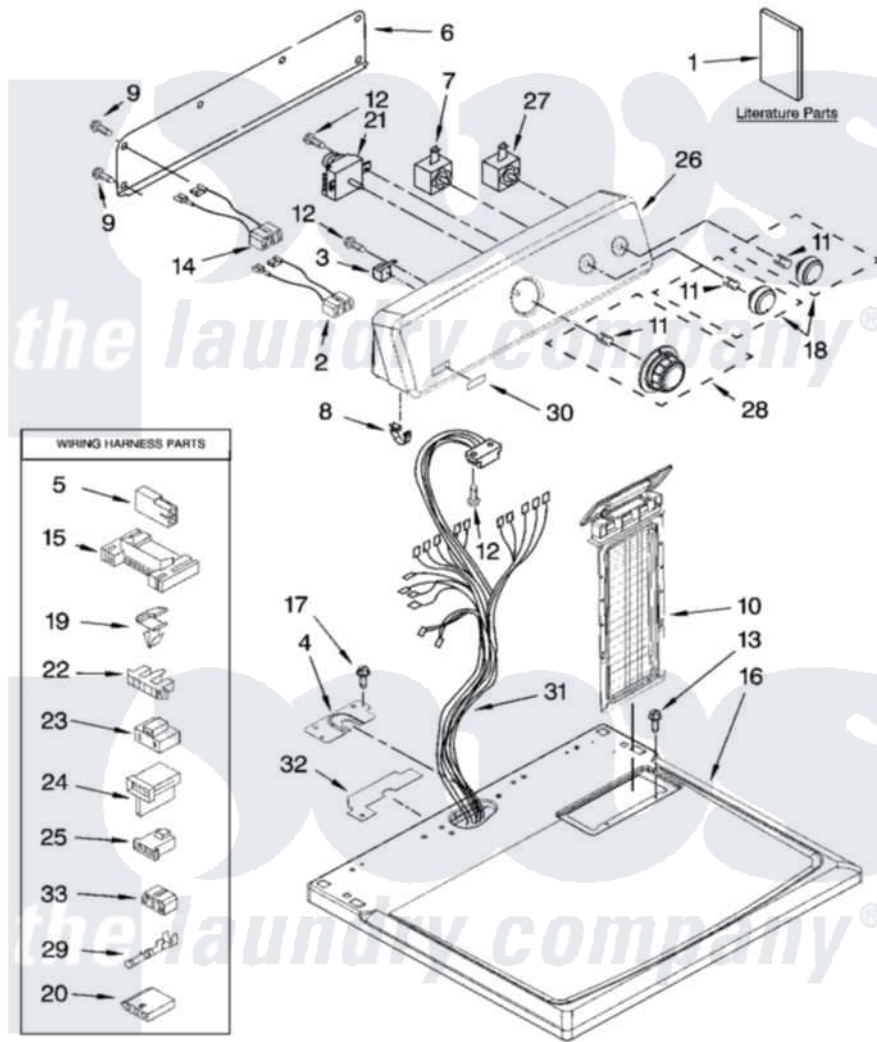
# Maytag MGD5600TQ1 01 - TOP AND CONSOLE PARTS



## TOP AND CONSOLE PARTS

For Model: MGD5600TQ1  
(White)

29" GAS DRYER



8-07 Litho in U.S.A.(LT)

1

Part No. W10155382 Rev. A

Maytag Residential Maytag MGD5600TQ1 Dryer Parts Parts Diagram 01 - TOP AND CONSOLE PARTS

[Click on the part number to view part](#)

Item	Original Part Number	Replaced By	Status	Part Description
1	W10088775		Not Available	Use & Care Guide
"	<a href="#">63001221</a>			Shelf
"	W10089170		Not Available	Sheet, Cycle Feature
2	<a href="#">W10113080</a>			Wire, Jumper
3	<a href="#">694419</a>			Mini-Buzzer
4	<a href="#">W10112578</a>			Harness, Bracket
5	<a href="#">717252</a>			Receptacle, Terminal
6	<a href="#">W10112577</a>			Panel, Rear Console
7	<a href="#">3399639</a>			Switch, Rotary Temperature
8	<a href="#">8312709</a>			Clip-Console
9	<a href="#">693995</a>			Screw, Hex Head
10	<a href="#">8565972</a>			Screen, Lint
11	<a href="#">8536939</a>			Clip, Knob
12	8533971	<a href="#">90767</a>		Screw, 8A X 3/8 HeX Washer Head Tapping
13	688983	<a href="#">487240</a>		Screw, For Mtg. Service Capacitor

14	<a href="#">W10110861</a>		Wire, Jumper
15	<a href="#">3395683</a>		Receptacle, Multi-Terminal
16	W10112597	<a href="#">W10112599</a>	Top
17	359625	<a href="#">487240</a>	Screw, For Mtg. Service Capacitor
18	<a href="#">W10110029</a>		Knob, Control
19	<a href="#">3394427</a>		Clip-Harness
20	<a href="#">3936144</a>		Do-It-Yourself Repair Manuals
21	<a href="#">8299765</a>		Timer Assembly
22	<a href="#">3397269</a>		Connector, Timer
23	<a href="#">3401144</a>		Connector
24	<a href="#">3403499</a>		Connector, 2-Postion
25	<a href="#">3403498</a>		Connector, 3-Position
26	W10086704	<a href="#">W10142665</a>	Console
27	<a href="#">W10117655</a>		Switch, Push-To-Start
28	<a href="#">W10110030</a>		Timer Knob Assembly
29	<a href="#">94614</a>		Terminal
30	W10112569	<a href="#">W10203949</a>	Medallion
31	<a href="#">W10110992</a>		Harness, Wiring
32	<a href="#">W10112603</a>		Seal, Harness
33	<a href="#">3347243</a>		Block, Disconnect

