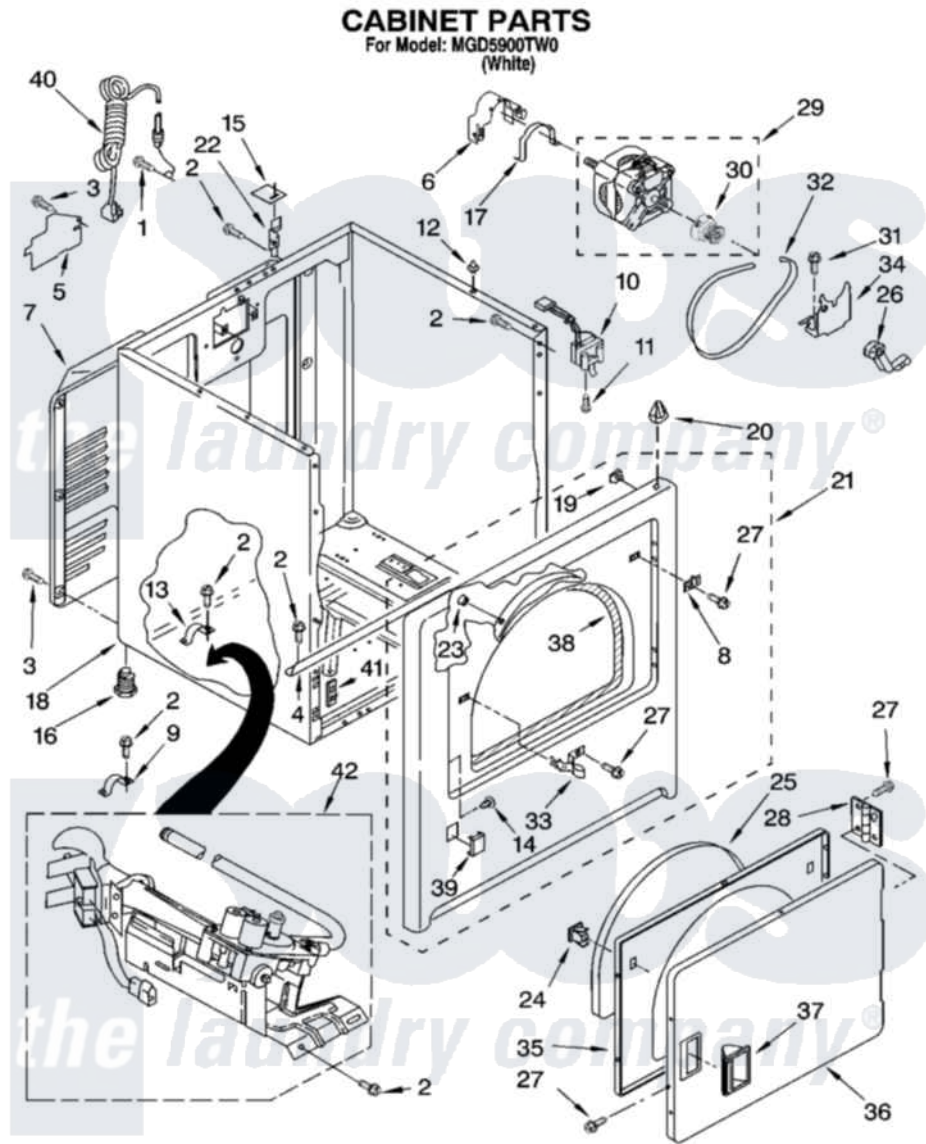


# Maytag MGD5900TW0 02 - CABINET PARTS



W10119614

3

Maytag [Residential Maytag MGD5900TW0 Dryer Parts](#) Parts Diagram 02 - CABINET PARTS  
Click on the part number to view part

| Item | Original Part Number    | Replaced By             | Status | Part Description        |
|------|-------------------------|-------------------------|--------|-------------------------|
| 1    | 697776                  | <a href="#">4331106</a> |        | Screw, No.10-32 X 7/16  |
| 2    | 343641                  | <a href="#">681414</a>  |        | Screw, 10AB X 1/2       |
| 3    | <a href="#">693995</a>  |                         |        | Screw, Hex Head         |
| 4    | <a href="#">8541400</a> |                         |        | Bracket, Cabinet        |
| 5    | <a href="#">3396795</a> |                         |        | Cover, Terminal Block   |
| 6    | <a href="#">3404162</a> |                         |        | Clamp, Motor            |
| 7    | 3396805                 | <a href="#">280043</a>  |        | Panel-Rear              |
| 8    | <a href="#">3403630</a> |                         |        | Plug, Strike Hole       |
| 9    | <a href="#">3980175</a> |                         |        | Clamp, Elbow            |
| 10   | <a href="#">3406107</a> |                         |        | Door Switch Assembly    |
| 11   | 697773                  | <a href="#">3395530</a> |        | Screw                   |
| 12   | <a href="#">98669</a>   |                         |        | Lock, Front Top         |
| 13   | <a href="#">341029</a>  |                         |        | Clamp, Pipe Door Spring |
| 14   | <a href="#">3404413</a> |                         |        | Plug, Hinge Hole        |
| 15   | <a href="#">18849</a>   |                         |        | Pad, Top Hinge          |
| 16   | 3392100                 | <a href="#">49621</a>   |        | Feet-Leveling           |

|    |                         |                           |  |
|----|-------------------------|---------------------------|--|
| "  | <a href="#">279810</a>  |                           | Foot-Optional                          |
| 17 | <a href="#">660658</a>  |                           | Clamp, Motor Mounting<br>343481 685441 |
| 18 | 8530603                 | <a href="#">8533643</a>   | Cabinet                                |
| 19 | <a href="#">98234</a>   |                           | Clip, U-Bend                           |
| 20 | <a href="#">18776</a>   |                           | Lock, Front Top                        |
| 21 | 3403447                 | <a href="#">279854</a>    | Panel                                  |
| 22 | <a href="#">8066217</a> |                           | Hinge, Top                             |
| 23 | 685203                  | <a href="#">279220</a>    | Clip                                   |
| 24 | <a href="#">3389441</a> |                           | Door Catch Assembly                    |
| 25 | <a href="#">3405246</a> |                           | Seal, Door Push-To-Start               |
| 26 | <a href="#">691366</a>  |                           | Idler And Pulley Assembly              |
| 27 | 342055                  | <a href="#">488627</a>    | Screw                                  |
| 28 | 3405514                 | <a href="#">W10362431</a> | Hinge And Pin Assembly                 |
| 29 | 8066206                 | <a href="#">279827</a>    | Motor-Drive                            |
| 30 | <a href="#">8066184</a> |                           | Pulley, Motor                          |
| 31 | <a href="#">3400500</a> |                           | Bolt, 3405245 5/16-18 X 3/4            |
| 32 | 8066065                 | <a href="#">341241</a>    | Belt                                   |
| 33 | <a href="#">3403431</a> |                           | Strike, Panel                          |
| 34 | <a href="#">348780</a>  |                           | Base, Motor                            |
| 35 | <a href="#">3402341</a> |                           | Door, Inner                            |
| 36 | <a href="#">3402335</a> |                           | Door, Front                            |
| 37 | <a href="#">8565970</a> |                           | Handle, Door                           |
| 38 | <a href="#">3406129</a> |                           | Seal And Bearing Assembly              |
| 39 | <a href="#">3394975</a> |                           | Plug, Front Panel                      |
| 40 | 344020                  | <a href="#">3401402</a>   | Cord, Power                            |
| 41 | <a href="#">3394083</a> |                           | Clip, Front Panel                      |
| 42 | 8318272                 | <a href="#">W10465748</a> | Burner-Gas                             |

*the laundry company*<sup>®</sup>

*the laundry company*<sup>®</sup>