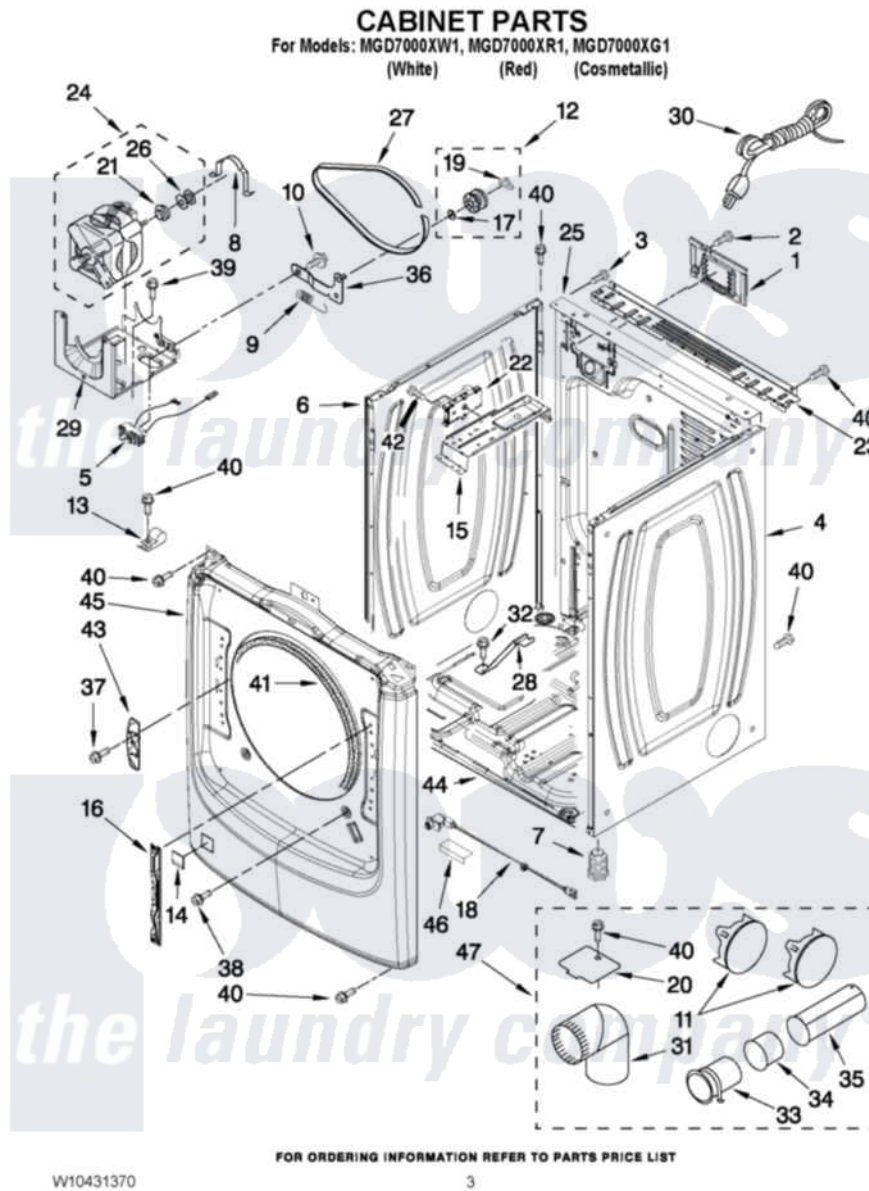


# Maytag MGD7000XG1 02 - CABINET PARTS



Maytag [Residential Maytag MGD7000XG1 Dryer Parts](#) Parts Diagram 02 - CABINET PARTS  
Click on the part number to view part

Item	Original Part Number	Replaced By	Status	Part Description
1	<a href="#">8317339</a>			Cover, Terminal Block
2	3390814	<a href="#">90767</a>		Screw, 8A X 3/8 HeX Washer Head Tapping
3	8533974	<a href="#">4331106</a>		Screw, No.10-32 X 7/16
4	<a href="#">W10280028</a>			Panel, Side
"	<a href="#">W10337791</a>			Panel, Side
"	<a href="#">W10301059</a>			Panel, Side
5	W10246525	<a href="#">W10314253</a>		Switch, Assembly Broken Belt
6	<a href="#">W10192435</a>			Panel, Side
"	W10337789	<a href="#">W10468502</a>		Panel, Side
"	<a href="#">W10301058</a>			Panel, Side
7	3392100	<a href="#">49621</a>		Feet-Leveling
NI	<a href="#">279810</a>			Foot-Optional
8	<a href="#">W10121316</a>			Plug, Multivent
9	<a href="#">3387374</a>			Spring, Idler
10	<a href="#">3389420</a>			Retainer-Idler 1/4-20 X 1/16
11	<a href="#">49252</a>			Plug, Multivent

"	W10151499	<a href="#">W10404617</a>	Plug, Multivent
12	3388672	<a href="#">279640</a>	Pulley-ldr
13	<a href="#">3978776</a>		Bracket, Gas Pipe Switch
14	<a href="#">8564457</a>		Plug, Front Panel
"	<a href="#">W10256411</a>		Plug, Front Panel
"	<a href="#">W10301055</a>		Plug, Front Panel
15	<a href="#">W10259611</a>		Bracket, Control
16	<a href="#">W10315109</a>		Bracket, Door Hinge
17	<a href="#">W10121334</a>		Washer, Thrust
18	<a href="#">W10295361</a>		Assembly, Door Switch
19	<a href="#">690997</a>		Washer, Thrust
20	8066115	<a href="#">3394331</a>	Plate Cover
21	<a href="#">3393657</a>		Restrainer, Belt
22	<a href="#">W10352731</a>		Control Board
23	<a href="#">W10208382</a>		Bracket, Rear Dryer
24	<a href="#">W10356941</a>		Motor, Assembly 60 Hz
25	<a href="#">W10247569</a>		Panel, Rear
26	<a href="#">3389729</a>		Pulley, Motor
27	<a href="#">W10112954</a>		Belt, Drive
28	<a href="#">8529757</a>		Bracket, Burner
29	<a href="#">W10242878</a>		Bracket, Motor Mounting
30	3401401	<a href="#">3401402</a>	Cord, Power
31	<a href="#">49026</a>		4" - 90° Elbow
32	<a href="#">693995</a>		Screw, Hex Head
33	<a href="#">8563747</a>		Exhaust Pipe Medium Pipe
34	<a href="#">8563750</a>		Exhaust Pipe
35	<a href="#">8563749</a>		Exhaust Pipe
36	3388674	<a href="#">W10118756</a>	Idler Bracket
37	<a href="#">W10288126</a>		Screw, 10-32 X 1/2
38	3357011	<a href="#">308685</a>	Side Trim )
39	343641	<a href="#">681414</a>	Screw, 10AB X 1/2
40	3390647	<a href="#">488729</a>	Screw
41	<a href="#">3387242</a>		Seal, Front Panel
42	<a href="#">693995</a>		Screw, Hex Head
43	<a href="#">W10208250</a>		Strike, Door
44	<a href="#">8565046</a>		(BROKEN BELT BASE, CABINET SWITCH)
45	<a href="#">W10294349</a>		Panel, Front
"	<a href="#">W10337786</a>		Panel, Front
"	<a href="#">W10301067</a>		Panel, Front
46	<a href="#">W10215725</a>		Cover, Door Switch
NI	<a href="#">W10331132</a>		Dryer Exhaust Kit

*the laundry company*<sup>®</sup>