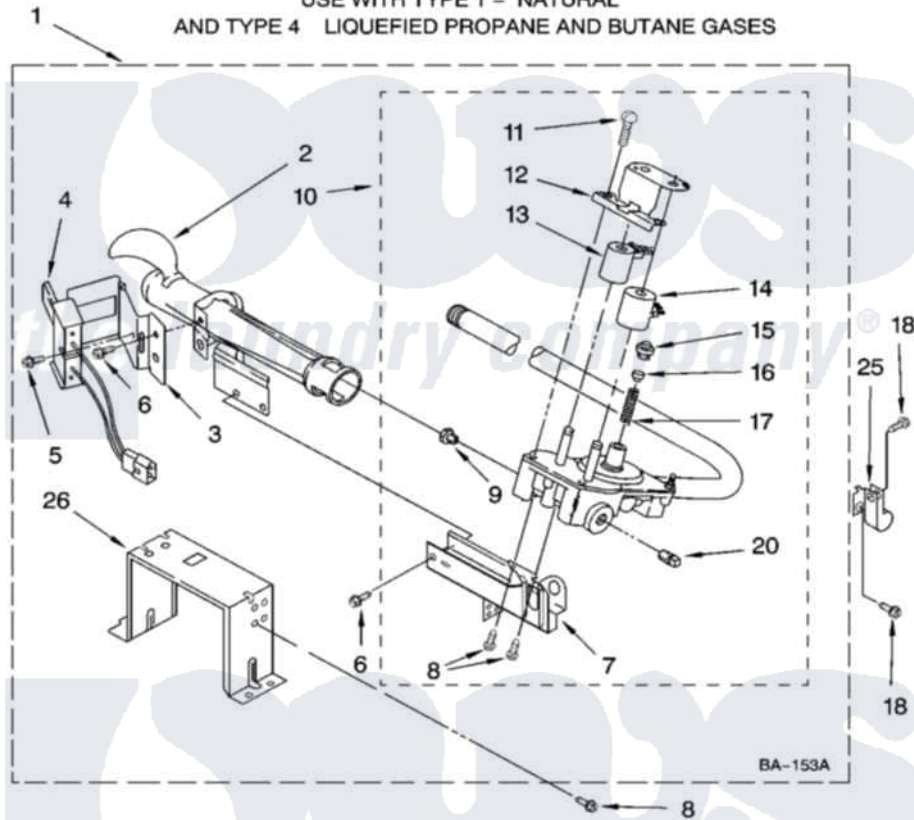


# Maytag MGDE900VW1 04 - 8576353 BURNER ASSEMBLY

## 8576353 BURNER ASSEMBLY

For Models: MGDE900VW1, MGDE900VJ1  
(White) (Oxide)

USE WITH TYPE 1 - NATURAL  
AND TYPE 4 LIQUEFIED PROPANE AND BUTANE GASES



W10272494

7

Maytag [Residential Maytag MGDE900VW1 Dryer Parts](#) Parts Diagram 04 - 8576353 BURNER ASSEMBLY  
Click on the part number to view part

Item	Original Part Number	Replaced By	Status	Part Description
1	8576353	<a href="#">280119</a>		Burner-Gas
2	688617	<a href="#">693140</a>		Burner
3	<a href="#">694298</a>			Bracket, Ignitor
4	686590	<a href="#">279311</a>		Ignitor
5	<a href="#">3393909</a>			Screw, 8-32 X 7/8
6	343641	<a href="#">681414</a>		Screw, 10AB X 1/2
7	3389871		Not Available	Base, Burner
8	<a href="#">3387057</a>			Screw, 10-16 X 1/2 Orifice, Burner
9	<a href="#">15418</a>			Orifice, Burner Type 1
"	15422		Not Available	ORIFICE, BURNER (TYPE 4) (BUTANE)
"	234867	<a href="#">229742</a>		Orifice, Burner
10	W10118347	<a href="#">W10293912</a>		Valve-Gas
11	<a href="#">694421</a>			Screw, Bracket Mounting
12	<a href="#">694538</a>			Bracket, Shunt
13	<a href="#">694540</a>			Coil, 60 Hz

14	<a href="#">694539</a>		Coil, 60 Hz
15	<a href="#">694424</a>		Leak, Limiter
16	<a href="#">694423</a>		Screw, Regulator Adjustment
17	<a href="#">694422</a>		Spring, Regulator
18	3390647	<a href="#">488729</a>	Screw
20	239822	<a href="#">W10295523</a>	Plug, Pipe
25	<a href="#">3387561</a>		Clamp-Pipe
26	<a href="#">3389889</a>		Bracket, Support
	BLANK	Not Available	FOLLOWING PARTS NOT ILLUSTRATED
"	8576846	<a href="#">W10317689</a>	Conversion Kit L.P.G. To Type Nat.

