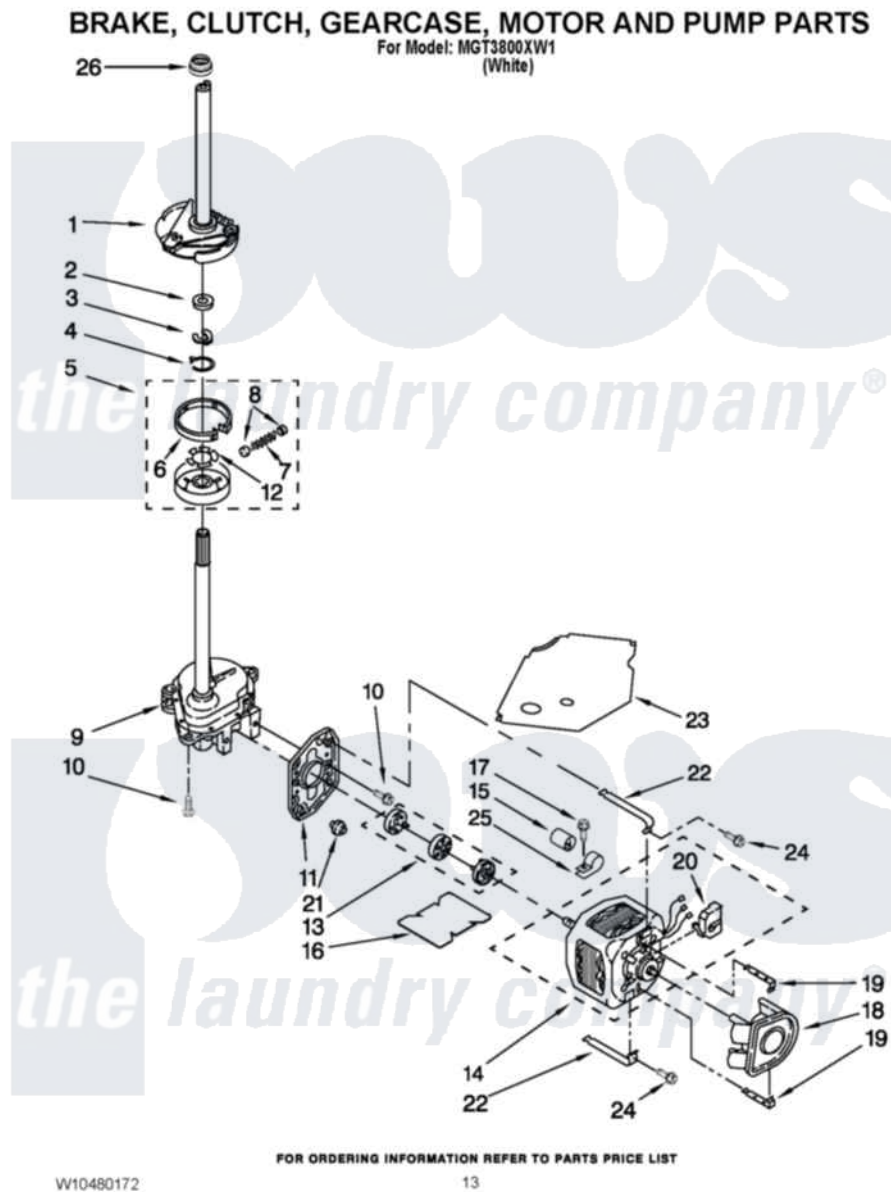


# Maytag MGT3800XW1 08 - BRAKE, CLUTCH, GEARCASE, MOTOR AND PUMP PARTS



Maytag Residential Maytag MGT3800XW1 Washer/Dryer Parts Diagram 08 - BRAKE, CLUTCH, GEARCASE, MOTOR AND PUMP PARTS  
Click on the part number to view part

Item	Original Part Number	Replaced By	Status	Part Description
1	388951	<a href="#">285792</a>		Basketdrive
2	<a href="#">63292</a>			Washer, Spin Tube Thrust
3	62697	<a href="#">W10080230</a>		Ring, Spin Tube Support
4	63283	<a href="#">285353</a>		Ring
5	3951311	<a href="#">285785</a>		Clutch
6	3951308	<a href="#">285790</a>		Lining
7	<a href="#">3946792</a>			Spring And Damper Assembly
8	<a href="#">62646</a>			Cap, Clutch Spring
9	8532118	<a href="#">3360629</a>		Gearcase
10	3357334	<a href="#">3400516</a>		Screw Anti-Rattle
11	<a href="#">62611</a>			Plate, Motor Mount To Gearcase
12	<a href="#">3355454</a>			Clip, Main Drive
13	3364003	<a href="#">285753A</a>		Coupling
14	<a href="#">661600</a>			Motor, Main Drive

15	<a href="#">8572717</a>	Capacitor, Motor Start	
16	<a href="#">8316060</a>	Shield, Tub To Motor	
17	62863	<a href="#">3390631</a>	Screw, 10-16 X 3/8
18	<a href="#">3363892</a>	Pump, Complete	
19	<a href="#">8546127</a>	Retainer, Pump	
20	62850	<a href="#">8529896</a>	Switch, Main Drive Motor
21	<a href="#">62691</a>	Grommet, Motor	
22	<a href="#">W10086010</a>	Retainer, Motor	
23	<a href="#">3362089</a>	Shield, Tub To Motor	
24	3387485	<a href="#">273556</a>	Screw, 10-16 X 5/8
25	<a href="#">3949496</a>	Clamp, Capacitor	
26	<a href="#">8577374</a>	Seal, Centerpost	

*the laundry company*<sup>®</sup>

*the laundry company*<sup>®</sup>

*the laundry company*<sup>®</sup>