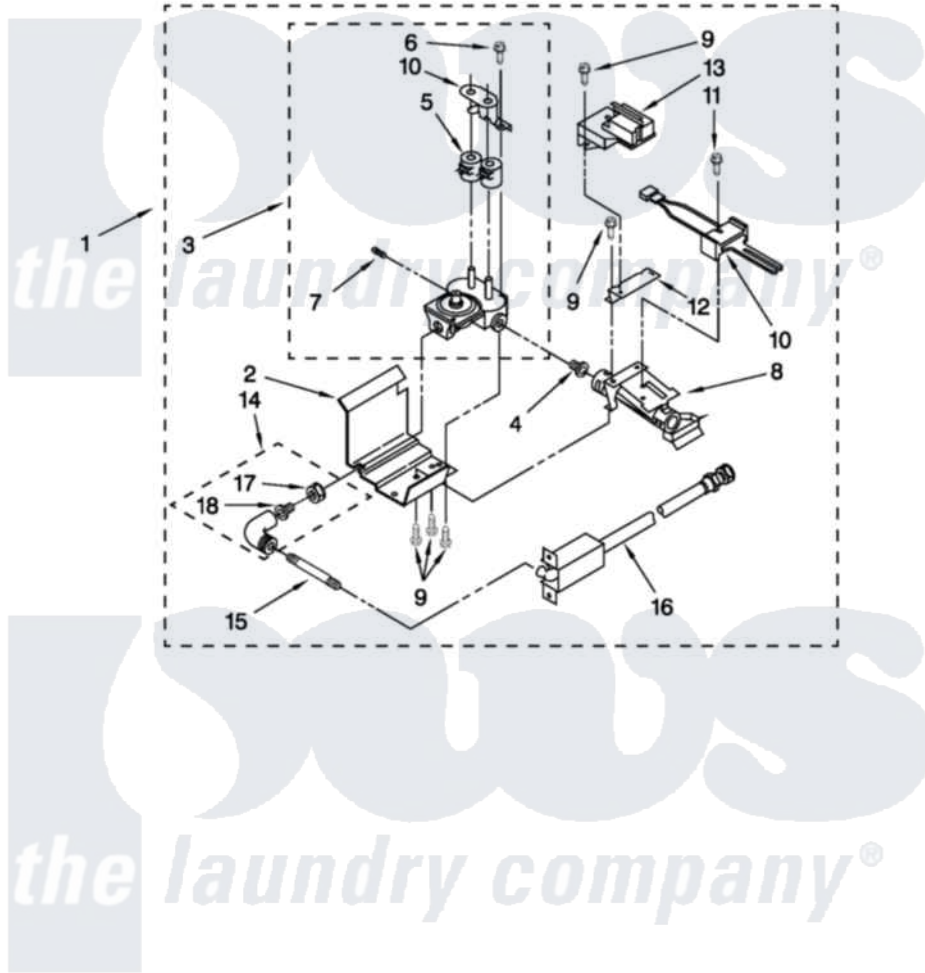


Maytag MGT3800XW1 15 - BURNER ASSEMBLY

BURNER ASSEMBLY

For Model: MGT3800XW1
(White)

1 USE WITH TYPE 1 - NATURAL, TYPE 2 - MIXED, TYPE 3 - MANUFACTURED
AND TYPE 4 - LIQUEFIED PROPANE AND BUTANE GASES



FOR ORDERING INFORMATION REFER TO PARTS PRICE LIST

W10480172

21

Maytag [Residential Maytag MGT3800XW1 Washer/Dryer Parts](#) Parts Diagram 15 - BURNER ASSEMBLY
Click on the part number to view part

| Item | Original Part Number | Replaced By | Status | Part Description |
|------|---------------------------|---------------------------|---------------|------------------------------------|
| 1 | W10449296 | W10492507 | | Burner-Gas |
| 2 | 3391699 | | | Base, Burner |
| 3 | W10304601 | W10500698 | | Valve |
| 4 | 3394360 | | Not Available | ORIFICE, NATURAL GAS |
| 5 | W10368268 | | Not Available | COIL, 60 HZ. |
| 6 | 326049536 | | | Screw, Coil |
| 7 | W10295523 | | | Plug, Pipe |
| 8 | 8578392 | | Not Available | BURNER |
| 9 | 3387057 | | | Screw, 10-16 X 1/2 Orifice, Burner |
| 10 | 686590 | 279311 | | Ignitor |
| 11 | 3393909 | | | Screw, 8-32 X 7/8 |
| 12 | 697409 | | | Bracket, Sensor |
| 13 | 338906 | | | Radiant, Sensor |
| 14 | 3406051 | | | Elbow Union Assembly |
| 15 | W10110398 | | | Pipe, Supply |
| 16 | 3391118 | | | Supply Line |

17 [233076](#)

Nut, Compression

18 [3393767](#)

Pipe, Tail

NI 3392235

[3392235A](#)

LP Gas Con

