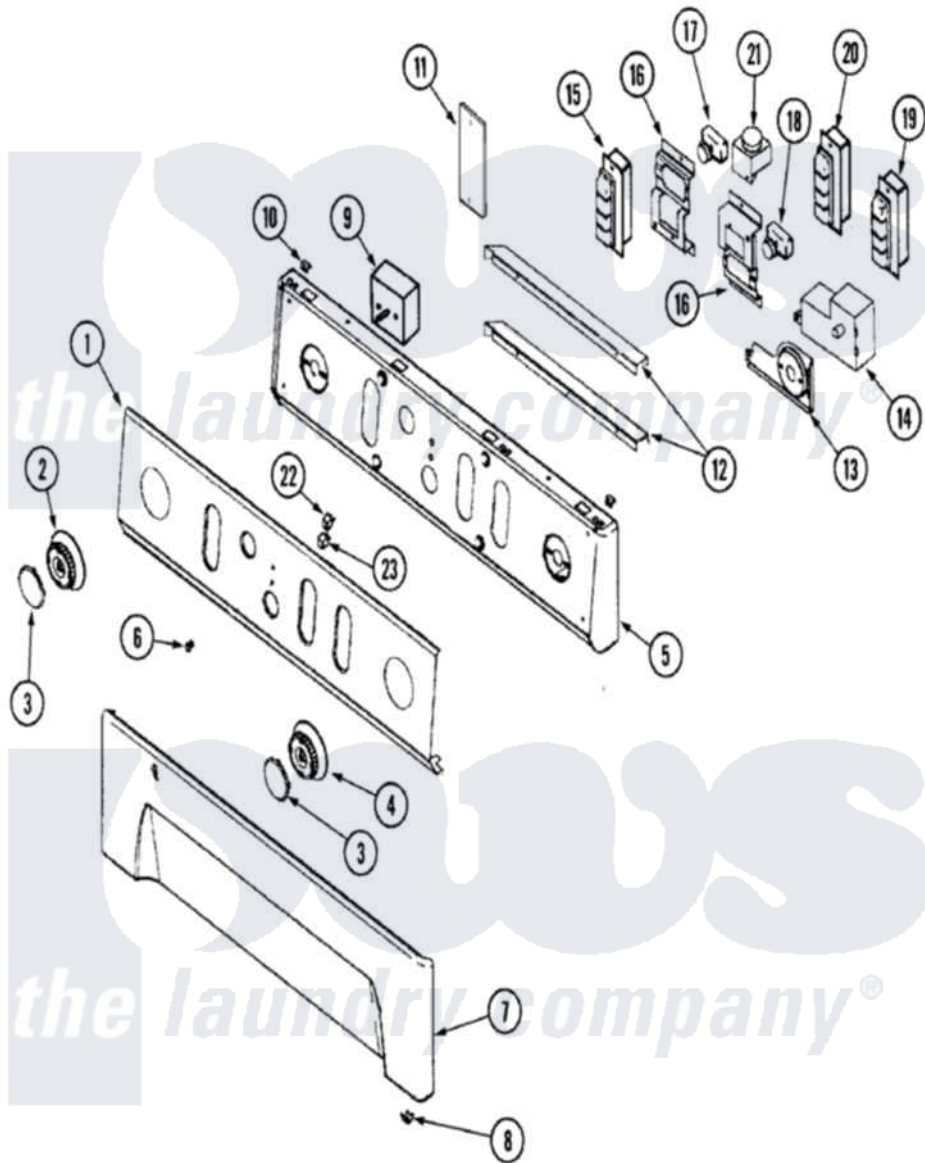


# Maytag MHW2000AWW 06 - CONTROL PANEL (DRYER)



Maytag Residential Maytag MHW2000AWW Stacked Washer and Dryer Parts Parts Diagram 06 - CONTROL PANEL (DRYER)

[Click on the part number to view part](#)

Item	Original Part Number	Replaced By	Status	Part Description
1	<a href="#">22002460</a>			Facia
2	<a href="#">33002132</a>			Knob, Timer
3	<a href="#">22001664</a>			Timer Knob Insert/Cap
4	<a href="#">22002461</a>			Knob, Timer
5	<a href="#">22002514</a>			Panel, Control
"	<a href="#">22002063</a>			Screw No.8-18AB Wafer Head
6	22001215	<a href="#">7730P011-60</a>		Lens, Indicator Light
7	<a href="#">22002063</a>			Screw No.8-18AB Wafer Head
"	<a href="#">33002072</a>			Panel, Access
"	<a href="#">33002004</a>			Clip, Fastener
8	<a href="#">33001980</a>			Fastener, Access Panel
9	61001885	<a href="#">489399</a>		Screw, 8-32 X 5/16
"	<a href="#">33002109</a>			Timer
10	<a href="#">33001977</a>			Fastener, Control Panel
11	315317	<a href="#">488234</a>		Screw 8-32 X 1/4
				Board, Control Moisture

"	<a href="#">33001212</a>		Board, Control-Moisture Sensor
12	<a href="#">22002515</a>		Channel, Switch Mounting
"	315471	<a href="#">22003298</a>	Retainer, Wire
"	22002517	<a href="#">489355</a>	Screw, 8 X 1/2
13	61001885	<a href="#">489399</a>	Screw, 8-32 X 5/16
"	<a href="#">22002516</a>		Bracket, Washer Timer
14	Y310632	<a href="#">1163839</a>	Screw
"	<a href="#">22002452</a>		Timer
16	Y310632	<a href="#">1163839</a>	Screw
"	<a href="#">22002518</a>		Bracket, Pts Switch
17	33001861	<a href="#">33001618</a>	Switch- PU
18	33002219	<a href="#">22002560</a>	Switch, Push To Start
19	<a href="#">22002453</a>		Switch, Water Temp
20	<a href="#">22002455</a>		Switch, Options
21	315317	<a href="#">488234</a>	Screw 8-32 X 1/4
"	<a href="#">33001848</a>		Signal, End Of Cycle
22	<a href="#">22002281</a>		Indicator Light
23	<a href="#">903115</a>		Lock Light
24	<a href="#">22002694</a>		Wire Harness, Main
"	<a href="#">22003014</a>		Harness, Main Wire
25	<a href="#">22002524</a>		Connector
26	33002225	Not Available	MANUAL, USE & CARE
27	33002235	Not Available	VIDEO, U & C (STACK)

