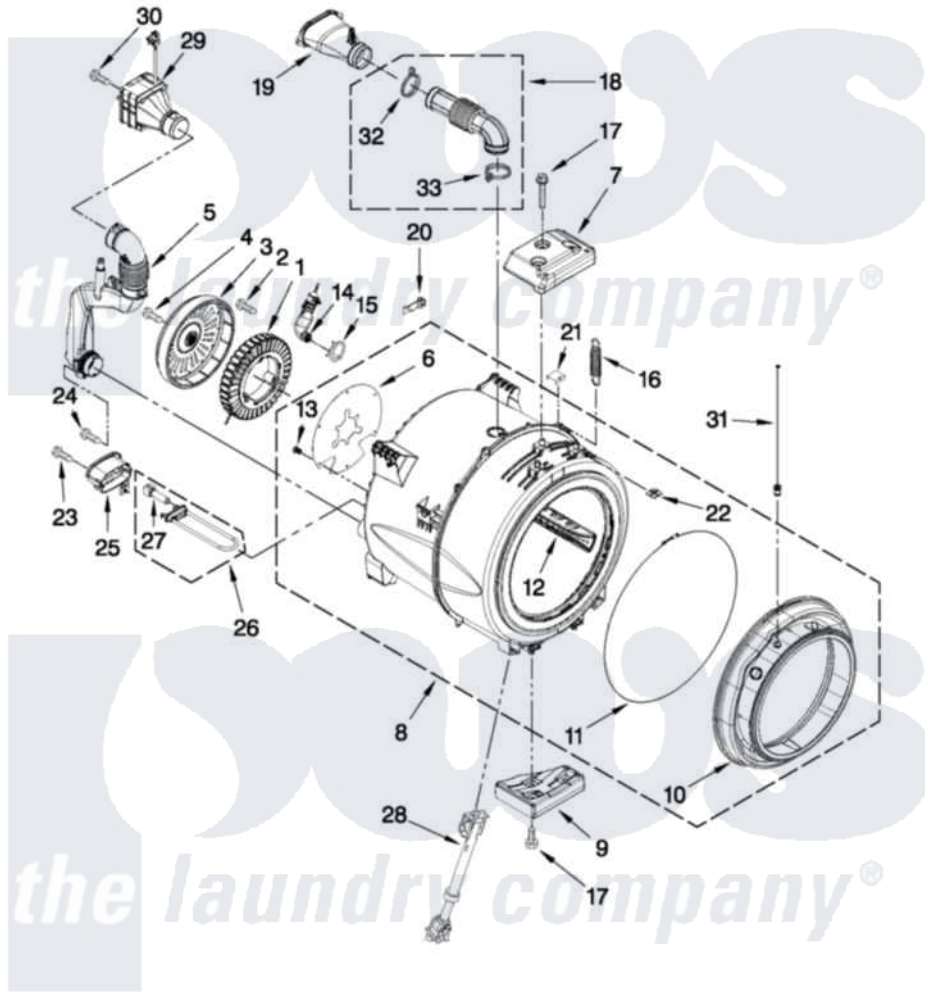


# Maytag MHW7000XR2 05 - TUB AND BASKET PARTS

## TUB AND BASKET PARTS

For Models: MHW7000XW2, MHW7000XR2, MHW7000XG2  
(White) (Red) (Cosmetallic)



FOR ORDERING INFORMATION REFER TO PARTS PRICE LIST

W10413847

7

Maytag [Residential Maytag MHW7000XR2 Washer Parts](#) Parts Diagram 05 - TUB AND BASKET PARTS  
Click on the part number to view part

Item	Original Part Number	Replaced By	Status	Part Description
1	W10213978	<a href="#">W10365754</a>		Stator
2	<a href="#">W10253476</a>			Screw, Stator Mounting
3	W10213980	<a href="#">W10365755</a>		Rotor
4	<a href="#">W10253477</a>			Screw, Rotor Mounting
5	<a href="#">W10261582</a>			Pipe, Ventilation Assembly
6	<a href="#">W10267637</a>			Shield, Motor
7	<a href="#">W10253014</a>			Counterweight, Top
8	W10355147	<a href="#">W10409998</a>		Tub-Outer
9	<a href="#">W10237535</a>			Counterweight, Bottom
10	<a href="#">W10237499</a>			Bellow
11	<a href="#">W10237502</a>			Retainer, Bellow To Tub
12	<a href="#">W10292810</a>			Baffle, Tub
13	<a href="#">W10273613</a>			Retainer, Push In
14	<a href="#">W10260500</a>			Airtrap Assembly
15	<a href="#">371499</a>			Clamp, Hose
16	W10312146	<a href="#">W10365760</a>		Spring

17	<a href="#">W10261496</a>		Screw, Counterweight
18	<a href="#">W10352811</a>		Vent-Hose Coupling Assembly
19	<a href="#">W10352818</a>		Vent Tube And Cover
20	<a href="#">W10316388</a>		Clip, Harness Diverter
21	<a href="#">8540092</a>		Clamp, Tub
22	8540072	<a href="#">8182512</a>	Nut, Push-In
23	<a href="#">9740848</a>		Screw, Mixing Valve Mounting
24	<a href="#">W10306501</a>		Screw, M4.1-1.8 X 16.5C
25	<a href="#">W10318155</a>		Shield, Heater
26	W10253993	<a href="#">8182666</a>	Element, Heating
27	<a href="#">8181705</a>		Ntc
28	<a href="#">W10312625</a>		Shock Absorber
29	<a href="#">W10261587</a>		Fan, Ventilation Assembly
30	<a href="#">W10305097</a>		Screw, M4.1-1.8 X 57
31	<a href="#">W10272847</a>		Light, Led Assembly
32	<a href="#">W10273034</a>		Clamp, Vent Hose
33	<a href="#">W10353599</a>		Clamp, Hose

