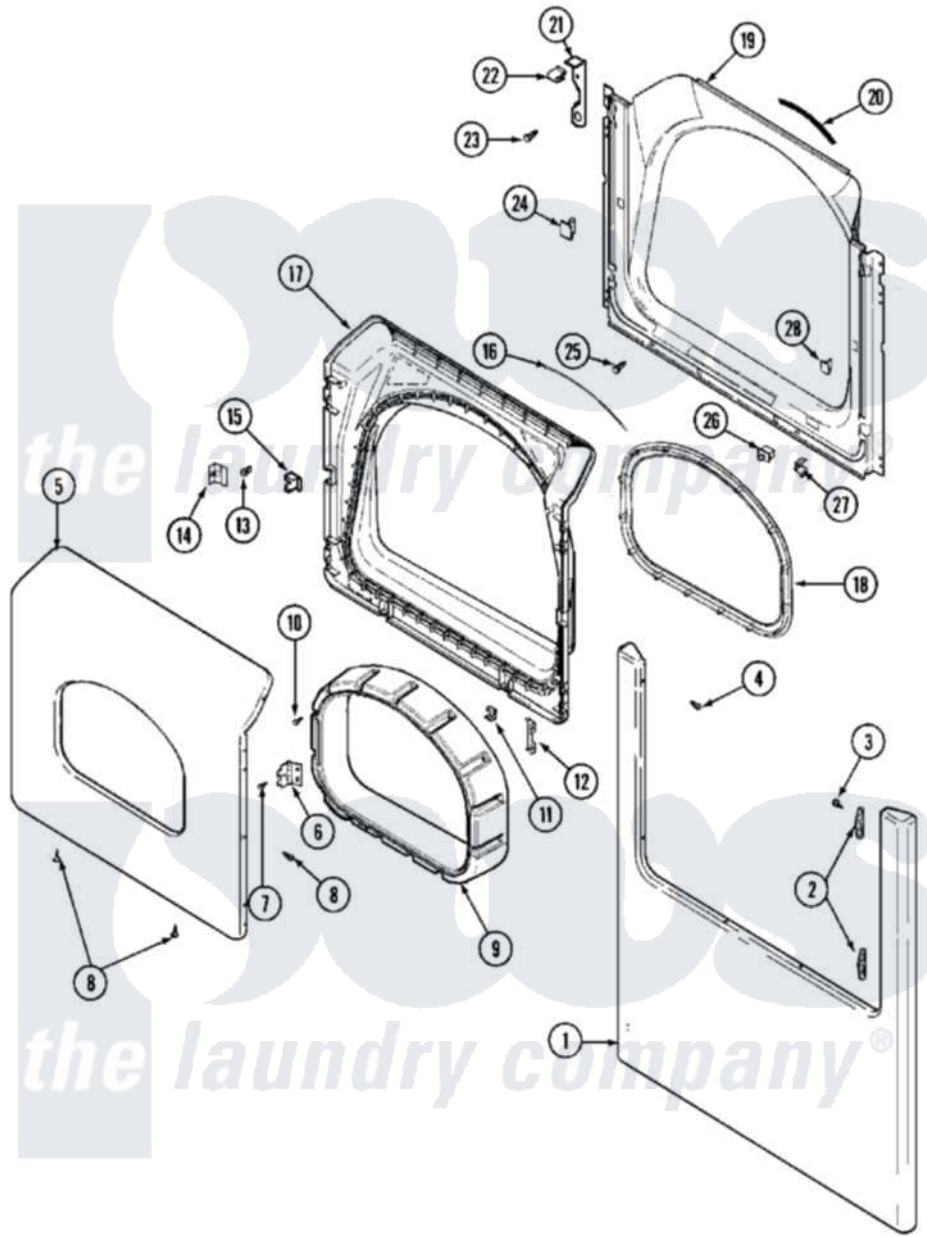


# Maytag MLE15PDAYA 06 - DOOR (LOWER)



Maytag Residential Maytag MLE15PDAYA Dryer Parts Parts Diagram 06 - DOOR (LOWER)  
 Click on the part number to view part

Item	Original Part Number	Replaced By	Status	Part Description
001	22002242		Not Available	PANEL, FRONT (ALM)
"	22002663		Not Available	PANEL, FRONT (BISQ)
"	<a href="#">22002836</a>			Panel, Front
002	<a href="#">33001764</a>			Cover, Hinge Hole
"	<a href="#">33001765</a>			Cover, Hinge Hole
"	<a href="#">33002349</a>			Cover, Hinge Hole
003	<a href="#">33001846</a>			Screw, Hinge Hole Cover
004	<a href="#">22002243</a>			Screw, Front Panel And Hinge
005	<a href="#">33002028</a>			Door, Outer
"	NLA		Not Available	(ALM)
006	<a href="#">33001759</a>			Hinge, Door
007	22002062	<a href="#">98006631</a>		Screw
008	<a href="#">22002063</a>			Screw No.8-18AB Wafer Head
"	22002064	<a href="#">489355</a>		Screw, 8 X 1/2
"	<a href="#">33002351</a>			Screw
009	33002018	<a href="#">33002780</a>		Door Tunnel W` Handle

"	33002019	<a href="#">33002781</a>	Door Tunne
010	22002300	<a href="#">9740848</a>	Screw, Mixing Valve Mounting
011	<a href="#">22002039</a>		Clip, Door
012	<a href="#">22002038</a>		Clip, Door
013	<a href="#">33001761</a>		Strike, Door
014	<a href="#">33001793</a>		Bracket, Strike
015	<a href="#">33001763</a>		Plug, Inner Door
016	<a href="#">33002094</a>		Seal, Door
017	<a href="#">33002030</a>		Door, Inner
"	33002031		(LWR-ALM)
018	33002022	<a href="#">33002607</a>	Lens, Door
019	<a href="#">33002033</a>		Shroud
"	NLA	Not Available	(ALM)
020	<a href="#">33001767</a>		Seal, Shroud
021	<a href="#">22002991</a>		Kit, Access Cover Hook
022	<a href="#">33002037</a>		Fastener, Access Cover Hook
023	<a href="#">22001995</a>		Screw Note: Screw, Tumbler Front And Shroud
024	33001791	<a href="#">306436</a>	Door Latch Kit--W
025	<a href="#">33001768</a>		Screw, Shroud Note: Screw, Shroud And Outlet Duct
026	<a href="#">33002038</a>		Switch, Door
027	<a href="#">33001760</a>		Bracket, Hinge
028	Y304578	<a href="#">LA-1003</a>	Door Catch Kit

